

HOW TO USE AND CONNECT THE ALARMS IN QUADDRIX openQ DEVICES

As you will see that in the DVR technical specifications and in the DVR back panel, both the Quaddrix openQ DVR series QT-600 and Zeus II have the following features.



| | Video Out | Audio Input | Talk Input | Audio Out | Loop/ Matrix | Alarm In | Alarm Out | HDD Support | CD/DVD RW Support |
|----------------------|----------------|-------------|------------|-----------|--------------|----------|-----------|-------------|-------------------|
| QT-600-04N-S | 1(BNC)+1(VGA) | 4(BNC) | N/A | 1 | N/A | 4 | 3 | 4 | Yes |
| QT-600-08N-S | 2(BNC)+1(VGA) | 4(BNC) | 1(BNC) | 1(BNC) | 8,1 | 16 | 6 | 4 | Yes |
| QT-600-16N-S | 2(BNC)+1(VGA) | 4(BNC) | 1(BNC) | 1(BNC) | 16,1 | 16 | 6 | 4 | Yes |
| QT-ZEUSII-04N-S-6HDD | 2(BNC)+1(1VGA) | 4(BNC) | 1(BNC) | 1(BNC) | 4,1 | 16 | 6 | 6 | Yes |
| QT-ZEUSII-08N-S-6HDD | 2(BNC)+1(1VGA) | 4(BNC) | 1(BNC) | 1(BNC) | 8,1 | 16 | 6 | 6 | Yes |
| QT-ZEUSII-16N-S-6HDD | 2(BNC)+1(1VGA) | 4(BNC) | 1(BNC) | 1(BNC) | 16,1 | 16 | 6 | 6 | Yes |
| QT-ZEUSII-04N-S-8HDD | 2(BNC)+1(1VGA) | 4(BNC) | 1(BNC) | 1(BNC) | 4,1 | 16 | 6 | 8 | No |
| QT-ZEUSII-08N-S-8HDD | 2(BNC)+1(1VGA) | 4(BNC) | 1(BNC) | 1(BNC) | 8,1 | 16 | 6 | 8 | No |
| QT-ZEUSII-16N-S-8HDD | 2(BNC)+1(1VGA) | 4(BNC) | 1(BNC) | 1(BNC) | 16,1 | 16 | 6 | 8 | No |

As you can see in this table (above), all the Quaddrix QT-600 and Zeus II DVR's have 16 alarm inputs and 6 alarm outputs (except the QT-600-4N that have only 4 inputs and 3 outputs).

And for the Quaddrix openQ IP cameras:

| | |
|----------------|--------------------|
| • Alarm Input | 2 socket connector |
| • Alarm Output | 1 |

According to this ¿what is the proper way to connect this alarm inputs and outputs to external devices?

First before you make the physical connection of any external device to the DVR or openQ IP device you have to configure and enable the alarm function

The alarm inputs of the openQ devices works as a relay contact which can set to work as normally open or normally close, the way to configure the alarm operation mode is as follows:

For the Quaddrix QT-600 and Zeus II DVR series

In the DVR main menu follow this access path:

Main menu → Setting → Alarm

In this menu is where you configure and program the DVR alarm input and relate this to an alarm output or any other action according to your requirements.

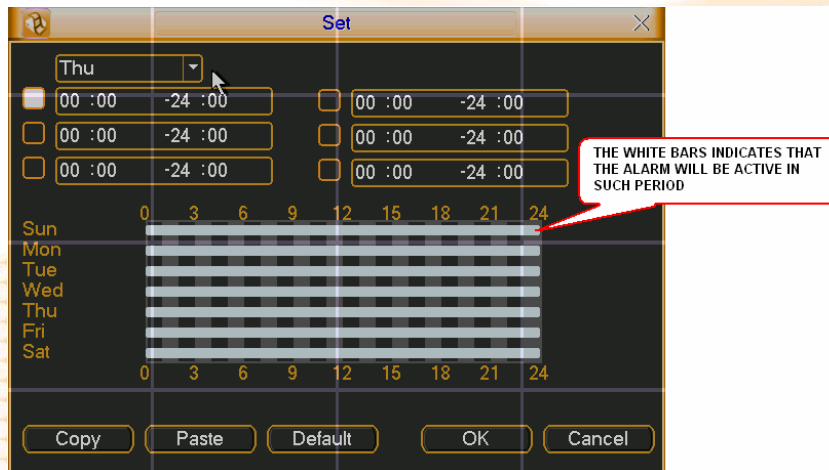
First configure the kind signal of alarm input that you handle (Normally Open, Normally Close), then click on the **“Enable”** check box (white color=enable, no color=disable).

Then you configure how the DVR will react to this alarm input, as you can see in the picture above there are several actions from trigger an alarm output to enable the DVR video matrix output.

Alarm output configuration

To link any DVR event or alarm input to an alarm output activation you have to proceed as follows:





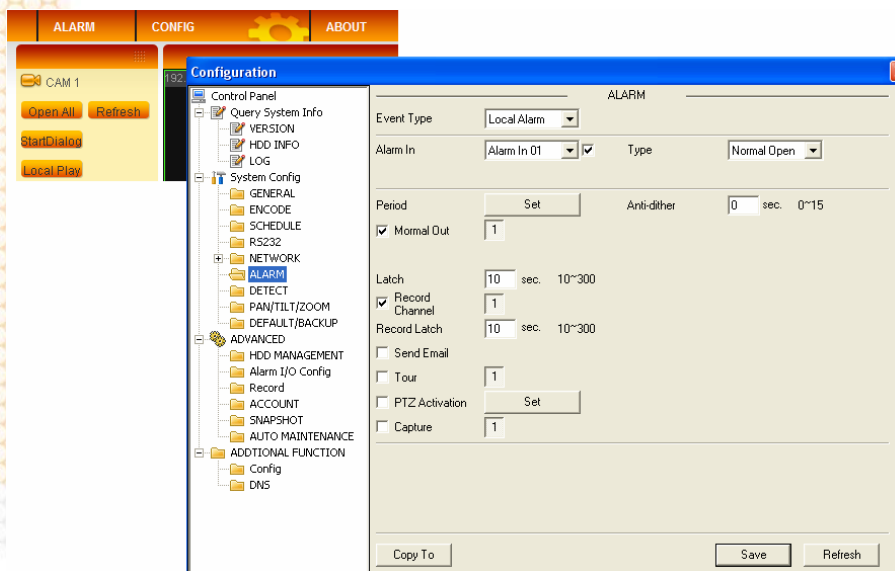
For further information about the alarm functions please refer to the DVR user manual

For all the Quaddrix openQ IP series devices

The alarm IN/OUT configuration procedure for all the Quaddrix IP devices (encoders and IP cameras), is too much like the DVR procedure. To configure the alarm IN and OUT functions in these devices, follow this path:

From IE (Internet Explorer)

Config → Alarm

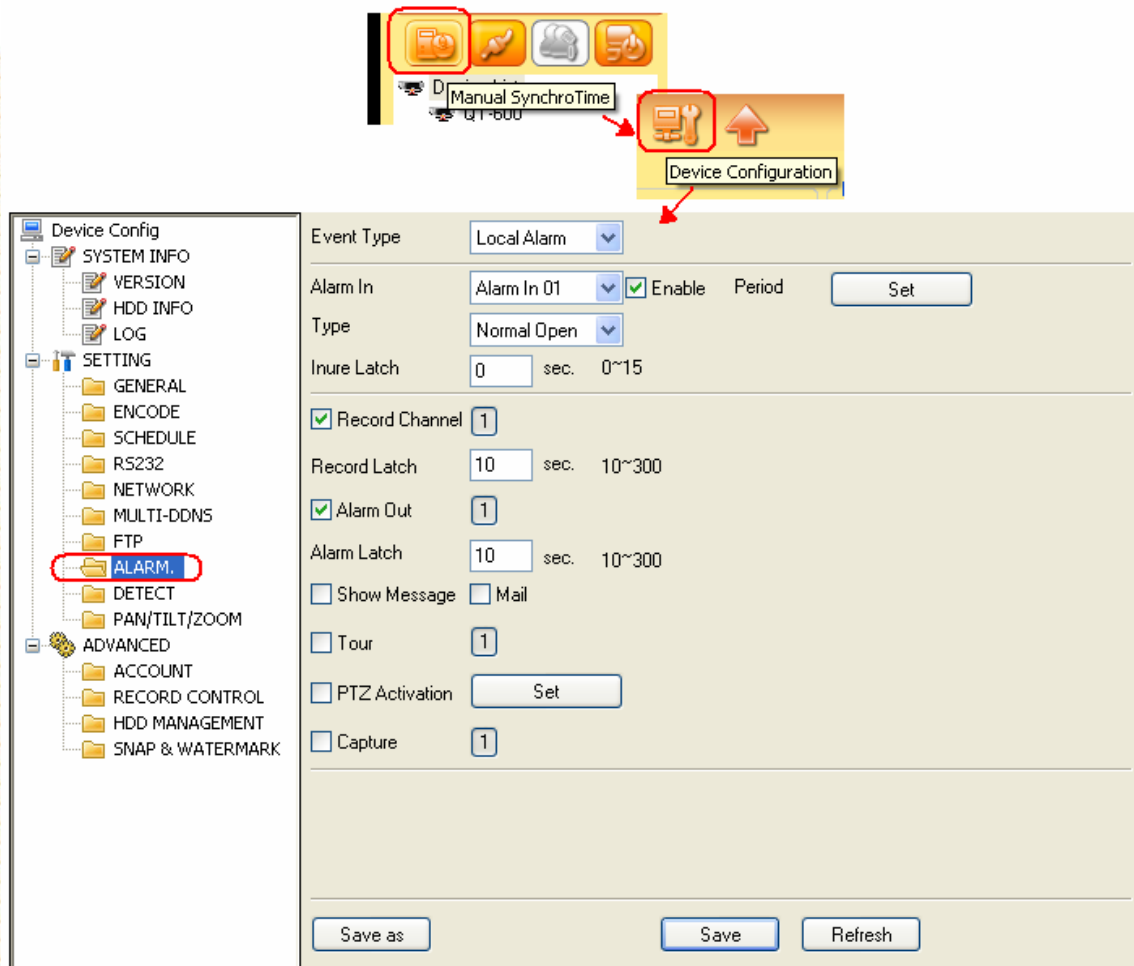


As you can see in the picture above, the alarm configuration fields are the same that you found in the DVR alarm configuration, the only difference is the alarm channel number.

From softQ

In the software main screen:

Device management (Manual Synchro time) → Device configuration → Alarm

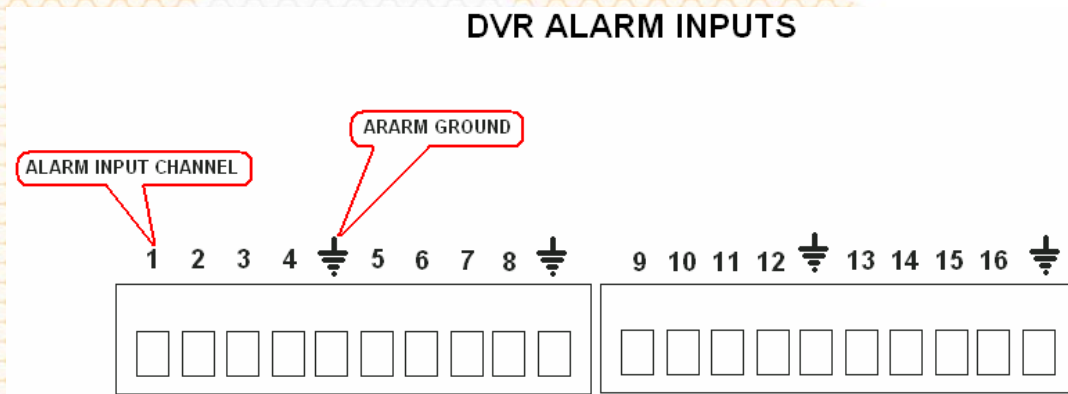


Here and like for the IE the configuration mode and options are exactly the same.

¿WHAT IS THE PROPPER WAY TO PHYSICALLI CONNECT THE ALARM SIGNALS IN MY QUADDRIX DEVICE?

Alarm INPUTS

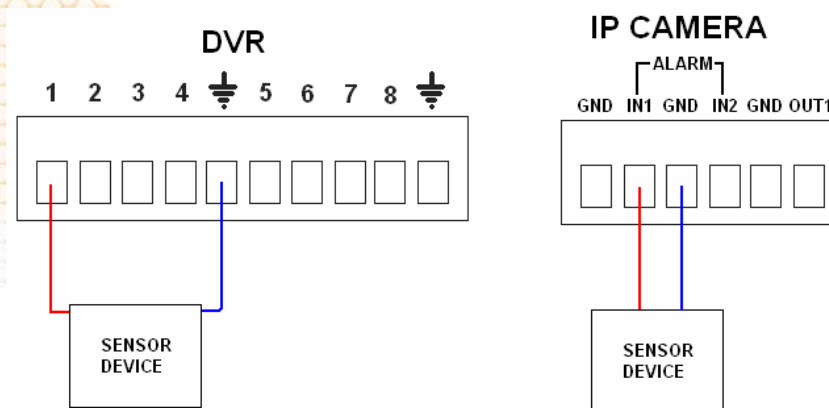
You will find 16 alarm inputs in the DVR back panel, and two alarm inputs in the openQ IP cameras.



IP CAMERA ALARM INPUTS

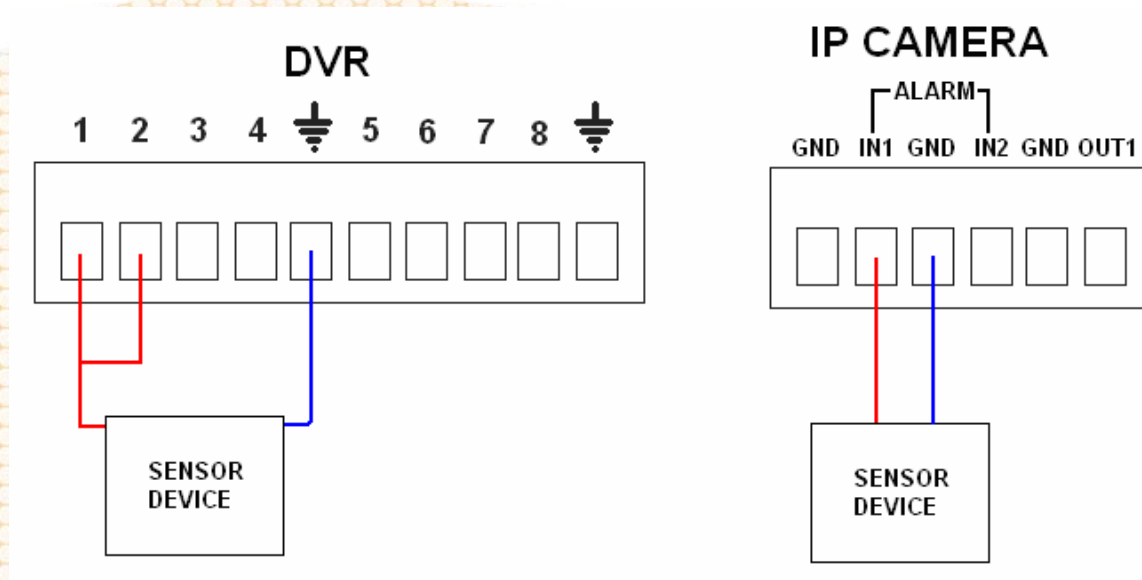


In these inputs you can connect any signal that comes from any external sensor device, only if these signals are **5V DC** with low current otherwise it may induce currents in the device and they can damage the internal circuits.



Alarm outputs

These alarm outputs works as contact relay, they're function is to close an external circuit that activates devices like lights, sirens, or any other advising device; most of these kind of external circuits handles high voltage/current signals.



There is 1 (normal open) alarm output for the IP cameras and up to 6 (normal open and normal close) outputs for the DVR's. While they're working, they can be used as the switch of the alarm system, if connect ALARM_COM and ALARM_ON together.

The electrical specification for both points is 15VDC/0.8A or 100VAC/0.2A please be sure that the signal does not exceed these values otherwise the internal circuits will be damaged.