



QTX-63 series

- **viewQ technology**
- **Resolution Options up to 600TVL**
- **BackLight Compensation**
- **DNR (Digital Noise Reduction)**
- **DSS (Digital Slow Shutter)**



General

With its 3-axis design Quaddrix® Magna Vandal Proof Dome, the biggest series from Magna Line, provides you with outstanding flexibility on the installation, allowing wall or drop ceiling installation, or if you prefer so, you can use the wall mount installation bracket. With Color or Day/Night function, Vandal Proof bubble, different lens options and different resolution options, Quaddrix® Magna QTX-63 Series can adapt to almost any location of your security system.

Functions

viewQ Technology: the Quaddrix ViewQ Technology employees hundreds of thousands of pixels each acting like individual cameras. These constantly self-adjusting pixels eliminate image-compromising visual noise and deliver high-resolution, natural color, and clarity. The result is simply unparalleled image quality regardless of lighting conditions or applications.

Resolution Options up to 600TVL: With the highest resolution offer by Magna line (600TVL) you can be sure you won't miss any scene detail in high priority solutions. In addition, QTX-63 series offers other options as 540TVL and 420TVL resolution allowing you to use this mini dome in a wide range of applications.

IR Option: Infrared Lighting Option includes in the QTX-63 series will allow supervised areas between 15 and 30mts where the light level is very low or zero, thereby improving the performance of your CCTV solution.

WDR (Wide Dynamic Range): Get clearer images under back light circumstances, where intensity of illumination changes continuously and when there are both, very bright and very dark areas simultaneously in the field of view of the camera.

DSS (Digital Show Shutter): DSS improves camera performance under low light conditions by adjusting automatic shutter speed by allowing lighter path to the camera to improve its level of sensitivity.

DNR (Digital Noise Reduction): The Digital Noise Reduction technology (DNR) improves Image quality by reducing fixed and random noises: Besides, as an additional benefit DNR will help to optimize recording process.

Vandal proof and weather resistant (IP 66): This Cameras will be suitable for out door environments sensitive to vandalic behaviours and diferent climate conditions with humidity and dust.

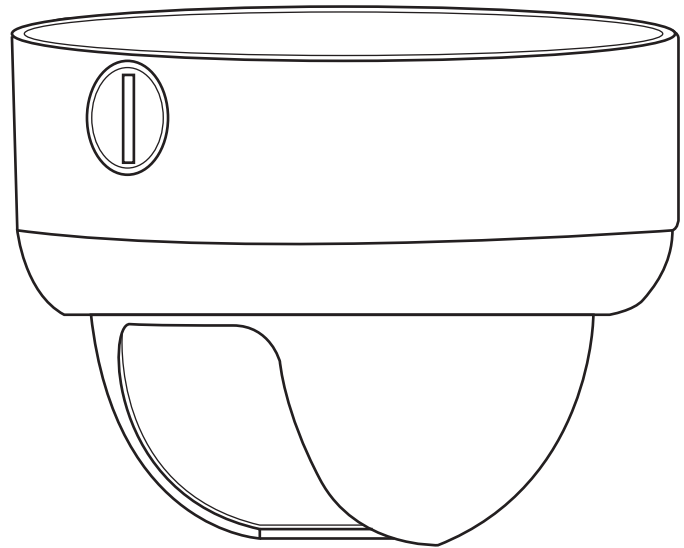
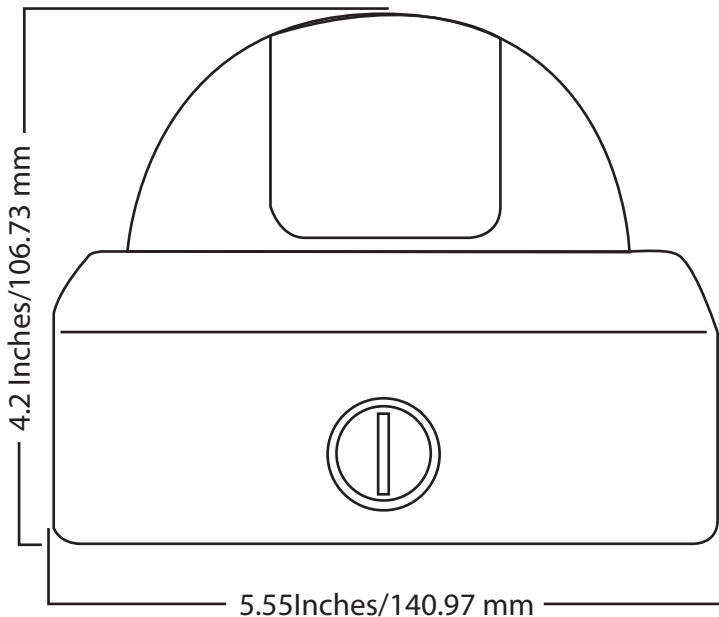
Parts to be ordered separately

Order Information	Part Number	Description
Power Supply	QT-12DC-800mA	Power Supply 12VDC 800mA
Power Supply	QT-12DC-1.25A	Power Supply 12VDC 1200mA
Power Supply	QT-24VAC-1.5A	Power Supply 24VAC 1.5A
Wall Bracket	QT-201-WB	Wall Bracket for vandal proof dome QTX-63

Parts included

- QTX-63 Mini Dome

Technical Drawing



Technical specifications:

Optical specification

	QTX-63-C5	QTX-63-C7	QTX-63-C8
Image Sensor	1/3" Sony Super HAD CCD	1/3" Sony Super HAD CCD	1/3" Sony Super HAD CCD
Effective Pixels	510(H) x 492(V)	510(H) x 492(V)	510(H) x 492(V)
Total Pixels	537(H) x 505(V)	537(H) x 505(V)	537(H) x 505(V)
Signal System	"NTSC (standard) PAL (optional) must add -X to the model name (ex: QTX-60N/F2-X for PAL version)"	"NTSC (standard) PAL (optional) must add -X to the model name (ex: QTX-60N/F2-X for PAL version)"	"NTSC (standard) PAL (optional) must add -X to the model name (ex: QTX-60N/F2-X for PAL version)"
Resolution	420 TVL	420 TVL	420 TVL
Sensitivity	0.1 Lux	0.1 Lux	0.1 Lux
Day/Night function	Yes	Yes	Yes
BackLight Compensation	Yes	Yes	Yes
S/N Ratio	More than 52dB	More than 52dB	More than 52dB
Electronic Shutter	"NTSC: 1/60 ~ 1/100000 PAL: 1/50 ~ 1/100000"	"NTSC: 1/60 ~ 1/100000 PAL: 1/50 ~ 1/100000"	"NTSC: 1/60 ~ 1/100000 PAL: 1/50 ~ 1/100000"
White Balance	Auto	Auto	Auto
Sync mode	Internal	Internal	Internal
AGC	Auto	Auto	Auto
WDR	No	No	No
Scan System	Interlaced	Interlaced	Interlaced
DSP	Yes	Yes	Yes
OSD	No	No	No
DNR (Digital Noise Reduction)	Yes	Yes	Yes
DSS (Digital Show Shutter)	No	No	No
Video Output	BNC connector, 1Vp-p 75Ω	BNC connector, 1Vp-p 75Ω	BNC connector, 1Vp-p 75Ω
Vertical Phase	59.94Hz	59.94Hz	59.94Hz

Lens

	QTX-63-C5	QTX-63-C7	QTX-63-C8
Lens Type	Fixed	Varifocal	Varifocal
Focal Length	2.8mm	2.8~10mm	9~22mm
Angle of view	65°(V) / 81°(H)	20° ~ 65° (V) / 27° ~ 81° (H)	9° ~ 23° (V) / 12° ~ 30° (H)
Mount type	Board	Board	Board
Iris control	No	Auto Iris DC Drive	Auto Iris DC Drive

IR Illumination

	QTX-63-C5	QTX-63-C7	QTX-63-C8
Infrared Wavelength	NA	NA	NA
Infrared Lamp Irradiation Dist.	NA	NA	NA

Mechanical

	QTX-63-C5	QTX-63-C7	QTX-63-C8
Dimensions	106.7mm (H) x 140.9mm (φ)	106.7mm (H) x 140.9mm (φ)	106.7mm (H) x 140.9mm (φ)
Operation temperature	-10°C ~ 50°C	-10°C ~ 50°C	-10°C ~ 50°C
Operation humidity	20% ~ 90%	20% ~ 90%	20% ~ 90%
Environmental protection	Weatherproof - IP66 rated	Weatherproof - IP66 rated	Weatherproof - IP66 rated
Vandal Proof	Yes	Yes	Yes
Accessories	QT-201-WB (Wallmount Bracket) Not Included	QT-201-WB (Wallmount Bracket) Not Included	QT-201-WB (Wallmount Bracket) Not Included

Power

	QTX-63-C5	QTX-63-C7	QTX-63-C8
Voltage	12V DC / 24V AC	12V DC / 24V AC	12V DC / 24V AC
Power consumption	500 mA	500 mA	500 mA
Recommended Power supply	QT-12VDC-800mA / QT-24VAC-1.5A	QT-12VDC-800mA / QT-24VAC-1.5A	QT-12VDC-800mA / QT-24VAC-1.5A

Optical specification

	QTX-63-CI3	QTX-63-CI5	QTX-63-D5
Image Sensor	1/3" Sony Super HAD CCD	1/3" Sony Super HAD CCD	1/3" Sony Super HAD CCD
Effective Pixels	510(H) x 492(V)	510(H) x 492(V)	768(H) x 494 (V)
Total Pixels	537(H) x 505(V)	537(H) x 505(V)	811(H) x 508(V)
Signal System	"NTSC (standard) PAL (optional) must add -X to the model name (ex: QTX-60N/F2-X for PAL version)"	"NTSC (standard) PAL (optional) must add -X to the model name (ex: QTX-60N/F2-X for PAL version)"	"NTSC (standard) PAL (optional) must add -X to the model name (ex: QTX-60N/F2-X for PAL version)"
Resolution	420 TVL	420 TVL	540 TVL
Sensitivity	0.1 Lux	0.1 Lux	0.01 Lux
Day/Night function	Yes	Yes	Yes
BackLight Compensation	Yes	Yes	Yes
S/N Ratio	More than 52dB	More than 52dB	More than 52dB
Electronic Shutter	"NTSC: 1/60 ~ 1/100000 PAL: 1/50 ~ 1/100000"	"NTSC: 1/60 ~ 1/100000 PAL: 1/50 ~ 1/100000"	"NTSC: 1/60 ~ 1/100000 PAL: 1/50 ~ 1/100000"
White Balance	Auto	Auto	Auto
Sync mode	Internal	Internal	Internal
AGC	Auto	Auto	Auto
WDR	No	No	No
Scan System	Interlaced	Interlaced	Interlaced
DSP	Yes	Yes	Yes
OSD	No	No	No
DNR (Digital Noise Reduction)	Yes	Yes	Yes
DSS (Digital Show Shutter)	No	No	No
Video Output	BNC connector, 1Vp-p 75Ω	BNC connector, 1Vp-p 75Ω	BNC connector, 1Vp-p 75Ω
Vertical Phase	59.94Hz	59.94Hz	59.94Hz

Lens

Lens Type	Fixed	Varifocal	Fixed
Focal Length	2.8mm	2.8~10mm	2.8mm
Angle of view	65°(V) / 81°(H)	20°~65°(V) 27°~81°(H)	65°(V) / 81°(H)
Mount type	Board	Board	Board
Iris control	No	Auto Iris DC Drive	No

IR Illumination

Infrared Wavelength	850nm	850nm	NA
Infrared Lamp Irradiation Dist.	15mts	30mts	NA

Mechanical

Dimensions	106.7mm (H) x 140.9mm (φ)	106.7mm (H) x 140.9mm (φ)	106.7mm (H) x 140.9mm (φ)
Operation temperature	-10°C ~ 50°C	-10°C ~ 50°C	-10°C ~ 50°C
Operation humidity	20% ~ 90%	20% ~ 90%	20% ~ 90%
Environmental protection	Weatherproof - IP66 rated	Weatherproof - IP66 rated	Weatherproof - IP66 rated
Vandal Proof	Yes	Yes	Yes
Accessories	QT-201-WB (Wallmount Bracket) Not Included	QT-201-WB (Wallmount Bracket) Not Included	QT-201-WB (Wallmount Bracket) Not Included

Power

Voltage	12V DC / 24V AC	12V DC / 24V AC	12V DC / 24V AC
Power consumption	1 Amp	1 Amp	500 mA
Recommended Power supply	QT-12VDC-1.25A / QT-24VAC-1.5A	QT-12VDC-1.25A / QT-24VAC-1.5A	QT-12VDC-800mA / QT-24VAC-1.5A

Optical specification

	QTX-63-D7	QTX-63-D8	QTX-63-G11
Image Sensor	1/3" Sony Super HAD CCD	1/3" Sony Super HAD CCD	1/3" ViewQ ORCA DPS
Effective Pixels	768(H) x 494 (V)	768(H) x 494 (V)	720(H) x 540(V)
Total Pixels	811(H) x 508(V)	811(H) x 508(V)	742 (H) x 552 (V)
Signal System	"NTSC (standard) PAL (optional) must add -X to the model name (ex: QTX-60N/F2-X for PAL version)"	"NTSC (standard) PAL (optional) must add -X to the model name (ex: QTX-60N/F2-X for PAL version)"	NTSC / PAL (selectable by OSD)
Resolution	540 TVL	540 TVL	540 TVL
Sensitivity	0.01 Lux	0.01 Lux	"0.8 Lux Color 0.08 Lux Slow Shutter ON 0 LUX IRs ON"
Day/Night function	Yes	No	Yes
BackLight Compensation	Yes	Yes	Yes
S/N Ratio	More than 52dB	More than 52dB	More than 50dB
Electronic Shutter	"NTSC: 1/60 ~ 1/100000 PAL: 1/50 ~ 1/100000"	"NTSC: 1/60 ~ 1/100000 PAL: 1/50 ~ 1/100000"	"NTSC: 1/60 ~ 1/100000 PAL: 1/50 ~ 1/100000"
White Balance	Auto	Auto	ATW / AWB / Manual
Sync mode	Internal	Internal	Internal
AGC	Auto	Auto	Low / Medium / High / Custom
WDR	No	No	102dB typical / 120dB Max
Scan System	Interlaced	Interlaced	Interlaced
DSP	Yes	Yes	Yes
OSD	No	No	Yes
DNR (Digital Noise Reduction)	Yes	Yes	Yes
DSS (Digital Show Shutter)	No	No	Yes (OFF/x2/x4/x8/x16)
Video Output	BNC connector, 1Vp-p 75Ω	BNC connector, 1Vp-p 75Ω	BNC connector, 1Vp-p 75Ω
Vertical Phase	59.94Hz	59.94Hz	59.94Hz

Lens

Lens Type	Varifocal	Varifocal	Varifocal
Focal Length	2.8~10mm	9~22mm	2.8~10mm
Angle of view	20° ~ 65° (V) / 27° ~ 81° (H)	9° ~ 23° (V) / 12° ~ 30° (H)	20° ~ 65° (V) / 27° ~ 81° (H)
Mount type	Board	Board	Board
Iris control	Auto Iris DC Drive	Auto Iris DC Drive	Auto Iris DC Drive

IR Illumination

Infrared Wavelength	NA	NA	850nm
Infrared Lamp Irradiation Dist.	NA	NA	30mts

Mechanical

Dimensions	106.7mm (H) x 140.9mm (φ)	106.7mm (H) x 140.9mm (φ)	106.7mm (H) x 140.9mm (φ)
Operation temperature	-10°C ~ 50°C	-10°C ~ 50°C	-10°C ~ 50°C
Operation humidity	20% ~ 90%	20% ~ 90%	20% ~ 90%
Environmental protection	Weatherproof - IP66 rated	Weatherproof - IP66 rated	Weatherproof - IP66 rated
Vandal Proof	Yes	Yes	Yes
Accessories	QT-201-WB (Wallmount Bracket) Not Included	QT-201-WB (Wallmount Bracket) Not Included	QT-201-WB (Wallmount Bracket) Not Included

Power

Voltage	12V DC / 24V AC	12V DC / 24V AC	12V DC / 24V AC
Power consumption	500 mA	500 mA	1 Amp
Recommended Power supply	QT-12VDC-800mA / QT-24VAC-1.5A	QT-12VDC-800mA / QT-24VAC-1.5A	QT-12VDC-1.25A

Optical specification

	QTX-63-DI5	QTX-63-E3	QTX-63-E4
Image Sensor	1/3" Sony Super HAD CCD	1/3" Interline CCD	1/3" Interline CCD
Effective Pixels	768(H) x 494 (V)	768(H) x 494(V)	768(H) x 494(V)
Total Pixels	811(H) x 508(V)	811(H) x 508(V)	811(H) x 508(V)
Signal System	"NTSC (standard) PAL (optional) must add -X to the model name (ex: QTX-60-C1-X for PAL version)"	"NTSC (standard) PAL (optional) must add -X to the model name (ex: QTX-60-C1-X for PAL version)"	"NTSC (standard) PAL (optional) must add -X to the model name (ex: QTX-60-C1-X for PAL version)"
Resolution	540 TVL	600 TVL	600 TVL
Sensitivity	0.01 Lux	0.1 Lux (color) / 0.001 Lux (B&W)	0.1 Lux (color) / 0.001 Lux (B&W)
Day/Night function	No	Yes	Yes
BackLight Compensation	Yes	Yes	Yes
S/N Ratio	More than 52dB	More than 54dB	More than 54dB
Electronic Shutter	"NTSC: 1/60 ~ 1/100000 PAL: 1/50 ~ 1/100000"	"NTSC: 1/60 ~ 1/100000 PAL: 1/50 ~ 1/100000"	"NTSC: 1/60 ~ 1/100000 PAL: 1/50 ~ 1/100000"
White Balance	Auto	Auto	Auto
Sync mode	Internal	Internal	Internal
AGC	Auto	Auto	Auto
WDR	No	No	No
Scan System	Interlaced	Interlaced	Interlaced
DSP	Yes	Yes	Yes
OSD	No	No	No
DNR (Digital Noise Reduction)	Yes	Yes	Yes
DSS (Digital Show Shutter)	No	No	No
Video Output	BNC connector, 1Vp-p 75Ω	BNC connector, 1Vp-p 75Ω	BNC connector, 1Vp-p 75Ω
Vertical Phase	59.94Hz	59.94Hz	59.94Hz

Lens

	QTX-63-DI5	QTX-63-E3	QTX-63-E4
Lens Type	Varifocal	Varifocal	Varifocal
Focal Length	2.8~10mm	2.8~10mm	9~22mm
Angle of view	20° ~ 65° (V) / 27° ~ 81° (H)	20° ~ 65° (V) / 27° ~ 81° (H)	9° ~ 23° (V) / 12° ~ 30° (H)
Mount type	Board	Board	Board
Iris control	Auto Iris DC Drive	Auto Iris DC Drive	Auto Iris DC Drive

IR Illumination

	QTX-63-DI5	QTX-63-E3	QTX-63-E4
Infrared Wavelength	850nm	NA	NA
Infrared Lamp Irradiation Dist.	30mts	NA	NA

Mechanical

	QTX-63-DI5	QTX-63-E3	QTX-63-E4
Dimensions	106.7mm (H) x 140.9mm (φ)	106.7mm (H) x 140.9mm (φ)	106.7mm (H) x 140.9mm (φ)
Operation temperature	-10°C ~ 50°C	-10°C ~ 50°C	-10°C ~ 50°C
Operation humidity	20% ~ 90%	20% ~ 90%	20% ~ 90%
Environmental protection	Weatherproof - IP66 rated	Weatherproof - IP66 rated	Weatherproof - IP66 rated
Vandal Proof	Yes	Yes	Yes
Accessories	QT-201-WB (Wallmount Bracket) Not Included	QT-201-WB (Wallmount Bracket) Not Included	QT-201-WB (Wallmount Bracket) Not Included

Power

	QTX-63-DI5	QTX-63-E3	QTX-63-E4
Voltage	12V DC / 24V AC	12V DC	12V DC
Power consumption	1 Amp	500 mA	500 mA
Recommended Power supply	QT-12VDC-1.25mA/ QT-24VAC-1.5A	QT-12VDC-800mA	QT-12VDC-800mA