

- Resolution Options up to 600TVL
- IR Option
- BackLight Compensation
- DNR (Digital Noise Reduction)

General

Magna Line and its line of Infrared Bullets offer various options for high quality indoors/ outdoors applications. With the QT-800 series, you can choose between different resolution options, infrared scopes ranging from 15m up to 50m, and a variety of lenses that will ensure the best picture even in total darkness in a different kind of solution.

Functions

Resolution Options up to 600TVL: With the highest resolution offered by the Magna line (600TVL), you can be sure you won't miss any scene detail in high priority solutions. In addition, the QTX-800 series offers other resolution options, such as 540TVL and 420TVL, allowing you to use this mini dome in a wide range of applications.

IR Option: The Infrared lighting option included in the QTX-800 series will operate in supervised areas between 15 and 50mts with low and zero visibility, thereby improving the performance of your CCTV solution.

DSS (Digital Show Shutter): DSS improves camera performance under low light conditions with its automatic shutter speed by allowing lighter path to the camera to improve its level of sensitivity.

DNR (Digital Noise Reduction): The Digital Noise Reduction technology (DNR) improves image quality by reducing fixed and random noises; as an additional benefit, DNR helps optimize the recording process.



Weather resistant (IP 66): These cameras are suitable for indoor or outdoor applications, including environments with different climate conditions, as well as conditions with humidity or dust.

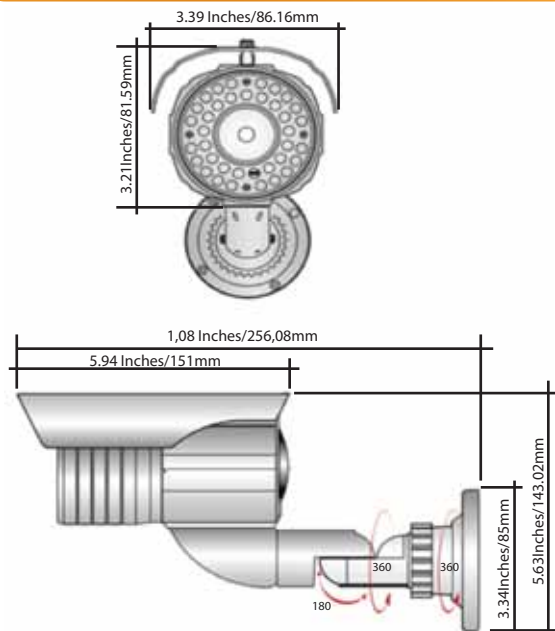
Parts included

QTX-800 Bullet / Wall Bracket

Parts to be ordered separately

Order Information	Part Number	Description
Power Supply	QT-12DC-1.25A	Power Supply 12VDC 1200mA

Technical Drawing



Technical specifications:

Optical specification

	QTX-800-C10	QTX-800-C11	QTX-800-C12
Image Sensor	1/3" Sony Super HAD CCD	1/3" Sony Super HAD CCD	1/3" Sony Super HAD CCD
Effective Pixels	510(H) x 492(V)	510(H) x 492(V)	510(H) x 492(V)
Total Pixels	537(H) x 505(V)	537(H) x 505(V)	537(H) x 505(V)
Signal System	"NTSC (standard) PAL (optional) must add -X to the model name (ex: QTX-60-C1-X for PAL version)"	"NTSC (standard) PAL (optional) must add -X to the model name (ex: QTX-60-C1-X for PAL version)"	"NTSC (standard) PAL (optional) must add -X to the model name (ex: QTX-60-C1-X for PAL version)"
Resolution	420 TVL	420 TVL	420 TVL
Sensitivity	0.1 Lux	0.1 Lux	0.1 Lux
Day/Night function	Yes	Yes	Yes
BackLight Compensation	Yes	Yes	Yes
S/N Ratio	More than 52dB	More than 52dB	More than 52dB
Electronic Shutter	"NTSC: 1/60 ~ 1/100000 PAL: 1/50 ~ 1/100000"	"NTSC: 1/60 ~ 1/100000 PAL: 1/50 ~ 1/100000"	"NTSC: 1/60 ~ 1/100000 PAL: 1/50 ~ 1/100000"
White Balance	Auto	Auto	Auto
Sync mode	Internal	Internal	Internal
AGC	Auto	Auto	Auto
WDR	No	No	No
Scan System	Interlaced	Interlaced	Interlaced
DSP	Yes	Yes	Yes
OSD	No	No	No
DNR (Digital Noise Reduction)	Yes	Yes	Yes
DSS (Digital Show Shutter)	No	No	No
Video Output	BNC connector, 1Vp-p 75Ω	BNC connector, 1Vp-p 75Ω	BNC connector, 1Vp-p 75Ω
Vertical Phase	59.94Hz	59.94Hz	59.94Hz

Lens

	QTX-800-C10	QTX-800-C11	QTX-800-C12
Lens Type	Fixed	Varifocal	Varifocal
Focal Length	3.6mm	2.8~10mm	9~22mm
Angle of view	53°(V) / 67°(H)	20° ~ 65° (V) / 27° ~ 81° (H)	9° ~ 23° (V) / 12° ~ 30° (H)
Mount type	Board	Board	Board
Iris control	No	Auto Iris DC Drive	Auto Iris DC Drive

IR Illumination

	QTX-800-C10	QTX-800-C11	QTX-800-C12
Infrared Wavelength	850nm	850nm	850nm
Infrared Lamp Irradiation Dist.	15mts	30mts	50mts

Mechanical

	QTX-800-C10	QTX-800-C11	QTX-800-C12
Dimensions	81.5mm (H) x 151mm (L) x 86.1 (W)	81.5mm (H) x 151mm (L) x 86.1 (W)	81.5mm (H) x 151mm (L) x 86.1 (W)
Operation temperature	-10°C ~ 50°C	-10°C ~ 50°C	-10°C ~ 50°C
Operation humidity	20% ~ 90%	20% ~ 90%	20% ~ 90%
Environmental protection	Weatherproof - IP66 rated	Weatherproof - IP66 rated	Weatherproof - IP66 rated
Vandal Proof	No	No	No
Accessories	QT-203-WB (Wallmount Bracket) INCLUDED	QT-203-WB (Wallmount Bracket) INCLUDED	QT-203-WB (Wallmount Bracket) INCLUDED

Electrical

	QTX-800-C10	QTX-800-C11	QTX-800-C12
Voltage	12V DC	12V DC	12V DC
Power consumption	1 Amp	1 Amp	1 Amp
Recommended Power supply	QT-12VDC-1.25A	QT-12VDC-1.25A	QT-12VDC-1.25A

Technical specifications:

Optical specification

	QTX-800-D I I	QTX-800-E I I
Image Sensor	1/3" Sony Super HAD CCD	1/3" Interline CCD
Effective Pixels	768(H) x 494 (V)	768(H) x 494(V)
Total Pixels	811(H) x 508(V)	811(H) x 508(V)
Signal System	"NTSC (standard) PAL (optional) must add -X to the model name (ex: QTX-60-C1-X for PAL version)"	"NTSC (standard) PAL (optional) must add -X to the model name (ex: QTX-60-C1-X for PAL version)"
Resolution	540 TVL	600 TVL
Sensitivity	0.01 Lux	0.1 Lux (color) / 0.001 Lux (B&W)
Day/Night function	Yes	Yes
BackLight Compensation	Yes	Yes
S/N Ratio	More than 52dB	More than 54dB
Electronic Shutter	"NTSC: 1/60 ~ 1/100000 PAL: 1/50 ~ 1/100000"	"NTSC: 1/60 ~ 1/100000 PAL: 1/50 ~ 1/100000"
White Balance	Auto	Auto
Sync mode	Internal	Internal
AGC	Auto	Auto
WDR	No	No
Scan System	Interlaced	Interlaced
DSP	Yes	Yes
OSD	No	No
DNR (Digital Noise Reduction)	Yes	Yes
DSS (Digital Show Shutter)	No	No
Video Output	BNC connector, 1Vp-p 75Ω	BNC connector, 1Vp-p 75Ω
Vertical Phase	59.94Hz	59.94Hz

Lens

	QTX-800-D I I	QTX-800-E I I
Lens Type	Varifocal	Varifocal
Focal Length	2.8~10mm	2.8~10mm
Angle of view	20° ~ 65° (V) / 27° ~ 81° (H)	20° ~ 65° (V) / 27° ~ 81° (H)
Mount type	Board	Board
Iris control	Auto Iris DC Drive	Auto Iris DC Drive

IR Illumination

	QTX-800-D I I	QTX-800-E I I
Infrared Wavelength	850nm	850nm
Infrared Lamp Irradiation Dist.	30mts	30mts

Mechanical

	QTX-800-D I I	QTX-800-E I I
Dimensions	81.5mm (H) x 151mm (L) x 86.1 (W)	81.5mm (H) x 151mm (L) x 86.1 (W)
Operation temperature	-10°C ~ 50°C	-10°C ~ 50°C
Operation humidity	20% ~ 90%	20% ~ 90%
Environmental protection	Weatherproof - IP66 rated	Weatherproof - IP66 rated
Vandal Proof	No	No
Accessories	QT-203-WB (Wallmount Bracket) INCLUDED	QT-203-WB (Wallmount Bracket) INCLUDED

Electrical

	QTX-800-D I I	QTX-800-E I I
Voltage	12V DC	12V DC
Power consumption	1 Amp	1 Amp
Recommended Power supply	QT-12VDC-1.25A	QT-12VDC-1.25A