

- **Built-in Multi-Protocol Solution**
- **Presets, tours, patterns, panning**
- **Improved WDR Technology**
- **7 in , 2 out Alarm**



General

The QTX-222 is another option from the high performance PTZ Quaddrix portfolio. With four zoom options, high resolution that provides the best image quality, and excellent response to low light levels, the QTX-222 undoubtedly becomes one of the best alternatives available in the surveillance market. The precision of its movements, the large number of presets, privacy windows and alarm inputs and outputs complement are only part of the features that make this camera the choice of most professional video surveillance market experts.

Functions

Built-in Multi-Protocol Solution: The QTX-222 High Resolution PTZ Dome is compatible with protocols such as Pelco D, Pelco P, VCL, Vicon, Kalatel, Ernitec, Molyntx, Diamond and Panasonic. This allows the dome to be integrated into several PTZ networks.

Presets, tours, patterns, panning: 220 presets with titles (predefined points), 4 preset tours, 4 pattern tours, each one up to 180 seconds record (including pan, tilt and zoom functions). 4 autopanning areas, which allow to establish surveillance routines that increase performance and make programming and operation easier.

Improved WDR Technology (Wide Dynamic Range): When a surveillance scene includes bright and dark areas, alternate images are captured at optimum exposure for both levels of illumination, and the resulting two fields are combined into a single frame.

This produces clear, glare-free images in a variety of lighting conditions, such as entrances with varying levels of indoor/outdoor illumination and situations where backlighting can make it difficult to identify facial features.

FNR (Frame Noise Reduction): Frame noise reduction minimizes random noise and after-images often associated with moving subjects, making this high-performance unit suited to a variety of surveillance scenarios. Producing clear, sharp images, even in challenging low-light conditions, this technology also facilitates image compression in network camera systems.

EIS (Electronic Image Stabilizer): This function allows you to have clear and steady images even in jumpy installation environments.

ICR (IR Cut Filter): All the Quaddrix PTZ speed domes are equipped with an ICR filter which in normal light and bright conditions filter the IR light that strikes the CCD, providing clearer images and reducing the excessive bright images. In low light conditions, this filter is automatically removed to capture better and clearer images.

Backup memory: Featuring a backup memory module, you can rest assured that your dome settings won't be affected even if the camera module is changed.

7 in, 2 out Alarm: QT-222HR has 7 alarm inputs and 2 outputs built-in. This allows quick alarm verification, automation of the CCTV system, and improving reaction times.

Vandal proof option and weather resistant (IP 66): These cameras are suitable for outdoor environments sensitive to vandalism and different climate conditions with humidity and dust.

TVS 4000 Lightning Proof: Designed with 4000V standards, you can rest assured these cameras will withstand the most extreme power conditions.

Parts included

Housing (according to the model ordered)
Optic Unit
Bubble

Definition of reference for cameras PTZ-magna

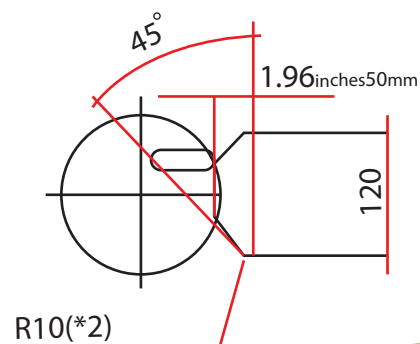
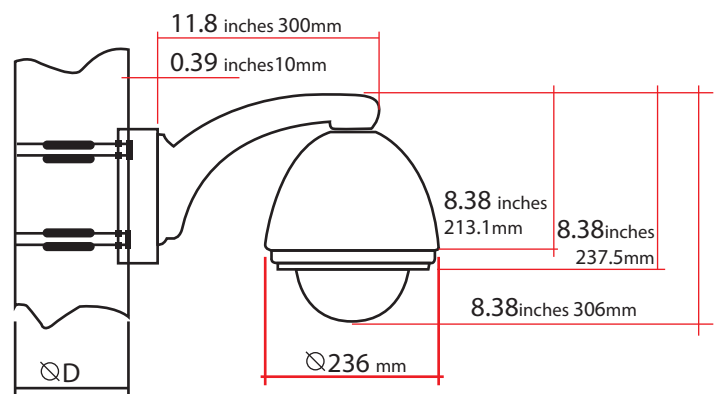
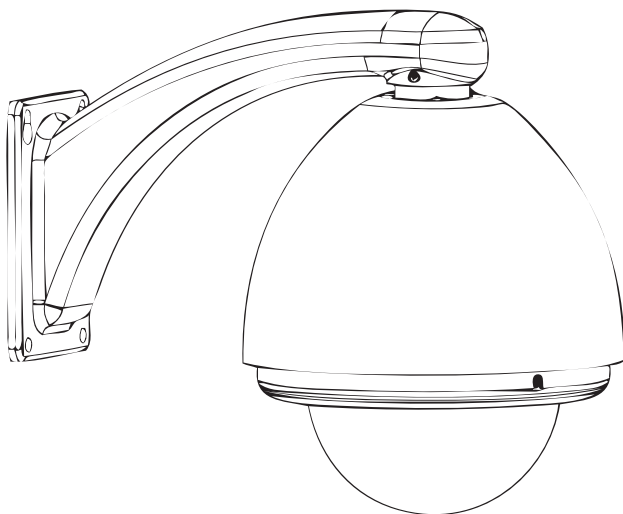
Ex: QTX-230-XX (XX= N1, N2 or N3)

Type	types of Bell		Types of bubbles			IR	
	Indoor	Outdoor	N/A	Normal	Vandal proof	No	yes - 100m
N1		●		●		●	
N2		●			●	●	
N3	●			●		●	

Parts to be ordered separately

Order Information	Part Number	Description
Power Supply	QT-24VAC-2.5Amp	Power Supply 24 VAC 2.5A
Corner Adapter	QT-110C	Corner Adapter, Must be used with QT-110W (for Speed Domes) or QT-240-W (for Integrated Positioning System)
Pole Adapter	QT-110-P	Pole Adapter, Must be used with QT-110W (for Speed Domes) or QT-240-W (for Integrated Positioning System)
Pendant Bracket	QT-110-PE	Speed Dome Pendant Bracket for QT-230 and QT-222 Series
Wall Bracket	QT-110W	Speed Dome Wall mount Bracket for QT-230 and QT-222 Series
Controller	QT-303/3X	PTZ Controller with Joystick, RS485, 3 axis, Multiprotocol, Power Supply Included
Controller with LCD Screen	QT-303LCD/3X	PTZ Controller with Joystick, RS485, 3 axis, Multiprotocol LCD Screen 3.5", Power Supply Included
Multi Controller	QT-MULTIKB	4-axis DVR and PTZ controller, for 600/Zeus II series and Speed dome series, RS485, Multiprotocol

Technical Drawing



Technical specifications:

General

○ Video Output	Female BNC / UTP (jumper selectable)
○ Control board	RS-485 (default)
○ Protocols	With the default RS-485 Board: Pelco P, Pelco D, VCL, Vicon, Kalatel, Ernitec, Molynx, Diamon, Panasonic
○ Optional Protocols Board	Philips Bi-Phase, AD Manchester, Pelco Coaxitron, Sensornet, BBV (note: the optional boards only support the specified protocol).
○ Baud rate	2400/4800/9600/19200bps
○ ID Range	1 ~ 254
○ Fan & Heater	Fan works continuously, heater starts automatically
○ Down cover	Transparent / Smoked / Vandal Proof

Operation Features

○ Preset	220 With Titles
○ Pattern	4
○ Preset Tour	4
○ Privacy Mask	8 with up to 32 preset each
○ Auto Pan	0° ~ 355° programmable. 4 auto panning

Alarms

○ Inputs	7
○ Outputs	2

Mechanical

○ Pan/tilt speed (Manual)	0.1 ~ 160°/s
○ Preset Speed	360°/s (average) [540°/s Max.]
○ Rotation	Pan 360° continuously - Tilt 0° ~ 90°
○ Zoom speed	3,9s/6,3s (wide/tele)
○ Auto flip	Auto

Electrical

○ Power supply	AC 24V 50/60Hz
○ Power consumption	55W

Environmental

○ Temperature	-40° ~ 70°C
○ Humidity	0 ~ 95%
○ Protection grade	IP66 Weather proof housing, TVS 4000V lightning proof. Surge proof.

Size

○ Dimensions	308x236mm
○ Weight	6,3 Kg (bracket excluded)
○ Warranty	24 Months

Optional accesories: QT-110 PE, QT-110 C, QT-110 P, QT-110W

Optional Power supplies: QT - 24VAC- 2.5

Technical specifications:

	23X	26X	35X	36X
○ Scan System	Progressive Scan	2:1 Interlacing	2:1 Interlacing	2:1 Interlacing
○ Image Sensor	1/4" Sony ExView Progressive Scan CCD	1/4" SONY ExView HAD CCD	1/4" SONY ExView HAD CCD	1/4" SONY ExView HAD CCD
○ Total Pixels	NTSC: 758(H)x504(V); PAL: 758 x 592	NTSC: 768(H) x 494(V); PAL: 752(H) x 582(V)	NTSC: 768(H) x 494(V); PAL: 752(H) x 582(V)	NTSC: 768(H) x 494(V); PAL: 752(H) x 582(V)
○ Effective Pixels	360.000 pixels aprox	380.000 pixels aprox	380.000 pixels aprox	380.000 pixels aprox
○ Scan Frequency (H/V)	NTSC: 15.734 Khz /60Hz; PAL: 15.625 Khz/50Hz	NTSC: 15.734 Khz /60Hz; PAL: 15.625 Khz/50Hz	NTSC: 15.734 Khz /60Hz PAL: 15.625 Khz/50Hz	NTSC: 15.734 Khz /60Hz; PAL: 15.625 Khz/50Hz
○ Horizontal Resolution	470TVL (color) / 550TVL(B&W)	470 TVL (color) / 550 TVL (B&W)	520 TVL (color)/ 540TVL(B&W)	470 TVL (color) / 550 TVL (B&W)
○ Sensitivity	0.08Lux (color) / 0.013lux (B/W)	0.7 lux (color) / 0,01 lux (B/W)	0.05 lux (color)/ 0,01 lux (B/W)	0.1 lux (color)/ 0,01 lux (B/W)
○ Zoom Ratio	230x (optical 23X, digital 10X)	312X (Optical 26X, Digital 12X)	420x (optical 35X, digital 12X)	432X (Optical 36X, Digital 12X)
○ Sync System	Internal/Line-Lock	Internal	Internal	Internal
○ S/N	More than 50dB	More than 50 dB	More than 50 dB	More than 50 dB
○ White Balance	Auto/Manual	Auto / Manual	Auto	Auto / Manual
○ BLC	Off / Auto	Off / Auto	Auto	Off / Auto
○ WDR	Yes (Off/On; Auto, offset/Manual)	No	Yes (Off/On; Auto, offset/ Manual)	No
○ Electronic Image Stabilizer	No	Yes	Yes	Yes
○ ICR Cut Filter	Yes (Auto/Manual)	Yes (Auto/Manual)	Yes (Auto/Manual)	Yes (Auto/Manual)
○ DSS	Yes	No	Yes	No