

- **Built-in Multi-Protocol Solution**
- **Presets, tours, patterns, panning**
- **Improved WDR Technology**
- **7 in , 2 out Alarm**



## General

The QTX-222 is another option from the high performance PTZ Quaddrix portfolio. With four zoom options, high resolution that provides the best image quality, and excellent response to low light levels, the QTX-222 undoubtedly becomes one of the best alternatives available in the surveillance market. The precision of its movements, the large number of presets, privacy windows and alarm inputs and outputs complement are only part of the features that make this camera the choice of most professional video surveillance market experts.

## Functions

**Built-in Multi-Protocol Solution:** The QTX-222 High Resolution PTZ Dome is compatible with protocols such as Pelco D, VCL, Vicon, Kalatel, Ernitec, Molyntx, Diamond and Panasonic. This allows the dome to be integrated into several PTZ networks.

**Presets, tours, patterns, panning:** 220 presets with titles (predefined points), 4 preset tours, 4 pattern tours, each one up to 180 seconds record (including pan, tilt and zoom functions). 4 autopanning areas, which allow to establish surveillance routines that increase performance and make programming and operation easier.

**Improved WDR Technology (Wide Dynamic Range):** When a surveillance scene includes bright and dark areas, alternate images are captured at optimum exposure for both levels of illumination, and the resulting two fields are combined into a single frame.

This produces clear, glare-free images in a variety of lighting conditions, such as entrances with varying levels of indoor/outdoor illumination and situations where backlighting can make it difficult to identify facial features.

**FNR (Frame Noise Reduction):** Frame noise reduction minimizes random noise and after-images often associated with moving subjects, making this high-performance unit suited to a variety of surveillance scenarios. Producing clear, sharp images, even in challenging low-light conditions, this technology also facilitates image compression in network camera systems.

**EIS (Electronic Image Stabilizer):** This function allows you to have clear and steady images even in jumpy installation environments.

**ICR (IR Cut Filter):** All the Quaddrix PTZ speed domes are equipped with an ICR filter which in normal light and bright conditions filter the IR light that strikes the CCD, providing clearer images and reducing the excessive bright images. In low light conditions, this filter is automatically removed to capture better and clearer images.

**Backup memory:** Featuring a backup memory module, you can rest assured that your dome settings won't be affected even if the camera module is changed.

**7 in, 2 out Alarm:** QT-222HR has 7 alarm inputs and 2 outputs built-in. This allows quick alarm verification, automation of the CCTV system, and improving reaction times.

**Vandal proof option and weather resistant (IP 66):** These cameras are suitable for outdoor environments sensitive to vandalism and different climate conditions with humidity and dust.

**TVS 4000 Lightning Proof:** Designed with 4000V standards, you can rest assured these cameras will withstand the most extreme power conditions.

### Parts included

Housing (according to the model ordered)  
Optic Unit  
Bubble

### Definition of reference for cameras PTZ-magna

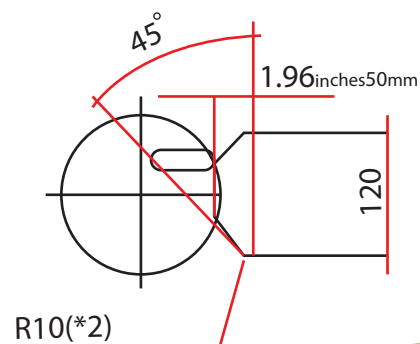
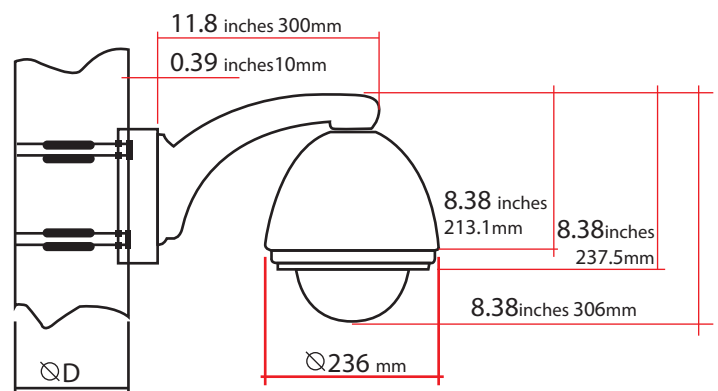
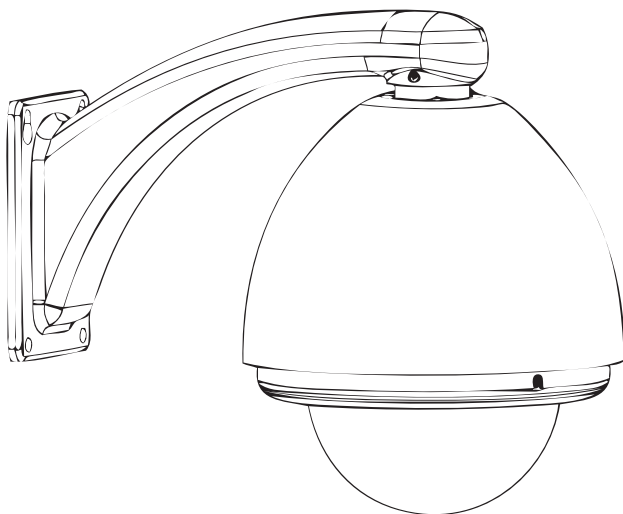
Ex: QTX-230-XX (XX= N1, N2 or N3)

| SIGLA | Tipos de campana |         | Tipo de burbuja |        |              | Infrarrojos |           |
|-------|------------------|---------|-----------------|--------|--------------|-------------|-----------|
|       | Indoor           | Outdoor | N/A             | Normal | Vandal proof | No          | SI - 100m |
| N1    |                  | ●       |                 | ●      |              | ●           |           |
| N2    |                  | ●       |                 |        | ●            | ●           |           |
| N3    | ●                |         |                 | ●      |              | ●           |           |

### Parts to be ordered separately

| Order Information          | Part Number     | Description   |
|----------------------------|-----------------|---|
| Power Supply               | QT-24VAC-2.5Amp | Power Supply 24 VAC 2.5A  |
| Corner Adapter             | QT-110C         | Corner Adapter, Must be used with QT-110W (for Speed Domes) or QT-240-W (for Integrated Positioning System) |
| Pole Adapter               | QT-110-P        | Pole Adapter, Must be used with QT-110W (for Speed Domes) or QT-240-W (for Integrated Positioning System)   |
| Pendant Bracket            | QT-110-PE       | Speed Dome Pendant Bracket for QT-230 and QT-222 Series   |
| Wall Bracket               | QT-110W         | Speed Dome Wall mount Bracket for QT-230 and QT-222 Series  |
| Controller                 | QT-303/3X       | PTZ Controller with Joystick, RS485, 3 axis, Multiprotocol, Power Supply Included                           |
| Controller with LCD Screen | QT-303LCD/3X    | PTZ Controller with Joystick, RS485, 3 axis, Multiprotocol LCD Screen 3.5", Power Supply Included           |
| Multi Controller           | QT-MULTIKB      | 4-axis DVR and PTZ controller, for 600/Zeus II series and Speed dome series, RS485, Multiprotocol           |

### Technical Drawing



## Technical specifications:

### General

|                            |  |
|----------------------------|--|
| ○ Video Output             | Female BNC / UTP (jumper selectable)   |
| ○ Control board            | RS-485 (default)   |
| ○ Protocols                | With the default RS-485 Board:<br>Pelco P, Pelco D, VCL, Vicon,<br>Kalatel, Ernitec, Molynx, Diamon,<br>Panasonic                          |
| ○ Optional Protocols Board | Philips Bi-Phase, AD Manchester,<br>Pelco Coaxitron, Sensornet, BBV<br>(note: the optional boards only<br>support the specified protocol). |
| ○ Baud rate                | 2400/4800/9600/19200bps  |
| ○ ID Range                 | 1 ~ 254  |
| ○ Fan & Heater             | Fan works continuously, heater<br>starts automatically   |
| ○ Down cover               | Transparent / Smoked / Vandal<br>Proof   |

### Operation Features

|                |   |
|----------------|---|
| ○ Preset       | 220 With Titles                           |
| ○ Pattern      | 4   |
| ○ Preset Tour  | 4   |
| ○ Privacy Mask | 8   |
| ○ Auto Pan     | 0° ~ 355° programmable. 4 auto<br>panning |

### Alarms

|           |   |
|-----------|---|
| ○ Inputs  | 7 |
| ○ Outputs | 2 |

### Mechanical

|                           |                                       |
|---------------------------|---------------------------------------|
| ○ Pan/tilt speed (Manual) | 0.1 ~ 160°/s                          |
| ○ Preset Speed            | 360°/s (average) [540°/s Max.]        |
| ○ Rotation                | Pan 360° continuously - Tilt 0° ~ 90° |
| ○ Zoom speed              | 3,9s/6,3s (wide/tele)                 |
| ○ Auto flip               | Auto                                  |

### Electrical

|                     |                |
|---------------------|----------------|
| ○ Power supply      | AC 24V 50/60Hz |
| ○ Power consumption | 55W            |

### Environmental

|                    |   |
|--------------------|---|
| ○ Temperature      | -40° ~ 70°C   |
| ○ Humidity         | 0 ~ 95%   |
| ○ Protection grade | IP66 Weather proof housing, TVS<br>4000V lightning proof. Surge<br>proof. |

### Size

|              |                           |
|--------------|---------------------------|
| ○ Dimensions | 308x236mm                 |
| ○ Weight     | 6,3 Kg (bracket excluded) |
| ○ Warranty   | 24 Months                 |

Optional accesories: QT-110 PE, QT-110 C, QT-110 P, QT-110W

Optional Power supplies: QT - 24VAC- 2.5

## Technical specifications:

|                               | <b>23X</b>                                      | <b>26X</b>                                      | <b>35X</b>                                     | <b>36X</b>                                      |
|-------------------------------|---|---|--|---|
| ○ Scan System                 | Progressive Scan                                | 2:1 Interlacing                                 | 2:1 Interlacing                                | 2:1 Interlacing                                 |
| ○ Image Sensor                | 1/4" Sony ExView<br>Progressive Scan CCD        | 1/4" SONY ExView HAD<br>CCD                     | 1/4" SONY ExView HAD<br>CCD                    | 1/4" SONY ExView HAD<br>CCD                     |
| ○ Total Pixels                | NTSC: 758(H)x504(V);<br>PAL: 758 x 592          | NTSC: 768(H) x 494(V);<br>PAL: 752(H) x 582(V)  | NTSC: 768(H) x 494(V);<br>PAL: 752(H) x 582(V) | NTSC: 768(H) x 494(V);<br>PAL: 752(H) x 582(V)  |
| ○ Effective Pixels            | 360.000 pixels aprox                            | 380.000 pixels aprox                            | 380.000 pixels aprox                           | 380.000 pixels aprox                            |
| ○ Scan Frequency (H/V)        | NTSC: 15.734 Khz /60Hz;<br>PAL: 15.625 Khz/50Hz | NTSC: 15.734 Khz /60Hz;<br>PAL: 15.625 Khz/50Hz | NTSC: 15.734 Khz /60Hz<br>PAL: 15.625 Khz/50Hz | NTSC: 15.734 Khz /60Hz;<br>PAL: 15.625 Khz/50Hz |
| ○ Horizontal Resolution       | 470TVL (color) / 550TVL(B&W)                    | 470 TVL (color) / 550 TVL (B&W)                 | 520 TVL (color)/ 540TVL(B&W)                   | 470 TVL (color) / 550 TVL (B&W)                 |
| ○ Sensitivity                 | 0.08Lux (color) / 0.013lux<br>(B/W)             | 0.7 lux (color) / 0,01 lux<br>(B/W)             | 0.05 lux (color)/ 0,01 lux<br>(B/W)            | 0.1 lux (color)/ 0,01 lux<br>(B/W)              |
| ○ Zoom Ratio                  | 230x (optical 23X,<br>digital 10X)              | 312X (Optical 26X, Digital<br>12X)              | 420x (optical 35X, digital<br>12X)             | 432X (Optical 36X, Digital<br>12X)              |
| ○ Sync System                 | Internal/Line-Lock                              | Internal  | Internal                                       | Internal  |
| ○ S/N                         | More than 50dB                                  | More than 50 dB                                 | More than 50 dB                                | More than 50 dB                                 |
| ○ White Balance               | Auto/Manual                                     | Auto / Manual                                   | Auto   | Auto / Manual                                   |
| ○ BLC                         | Off / Auto                                      | Off / Auto                                      | Auto   | Off / Auto                                      |
| ○ WDR                         | Yes (Off/On; Auto,<br>offset/Manual)            | No  | Yes (Off/On; Auto, offset/<br>Manual)          | No  |
| ○ Electronic Image Stabilizer | No  | Yes   | Yes  | Yes   |
| ○ ICR Cut Filter              | Yes (Auto/Manual)                               | Yes (Auto/Manual)                               | Yes (Auto/Manual)                              | Yes (Auto/Manual)                               |
| ○ DSS                         | Yes   | No  | Yes  | No  |