

- **Built-in Multi-Protocol Solution**
- **Robust Built-in tour preset, pattern and panning features**
- **Improve WDR Technology**
- **Vandal proof option and weather resistant (IP 66)**

General

New Quaddrix QT-240 integrated positioning system is the integration of a high speed and variable speed system that provides a smooth, continuous and stable motion due to its high speed decoder and PTZ plate built in mechanism.

Functions

Built-in Multi-Protocol Solution: The QTX-240 High Resolution PTZ Dome is compatible with protocols such as Pelco, D,VCL,Vicon, SAE, Kalatel, Ernitec, Molyx, Diamond and Panasonic. This allows the dome to be integrated in several PTZ networks.

Preset s, tour s, pat terns, panning: 220 presets with titles (predefined points), 4 presets tours, 4 pattern tours each one up to 180 seconds record (including pan, tilt and zoom functions). 4 auto-panning areas. This allows to establish surveillance routines that increase performance and make programming and operation easier

Improve WDR Technology (Wide Dynamic Range): When a surveillance scene includes bright and dark areas, alternate images are captured at optimum exposure for both levels of illumination, and the resulting two fields are combined into a single frame.

This produces clear, glare-free images in a variety of lighting conditions, such as entrances with varying levels of indoor/outdoor illumination and situations where backlighting can make it difficult to identify facial features.



High precision movement: This device ensures you a 0.1° positioning accuracy due to its high standard stepper motors mechanism eliminating all the vibration caused by the motion.

FNR (Frame Noise Reduction): Frame noise reduction minimizes random noise and after-images often associated with moving subjects, making this high-performance unit suited to a variety of surveillance scenarios. Producing clear, sharp images even in challenging low-light conditions, this technology also facilitates image compression in network camera systems

EIS (Electronic Image Stabilizer): This function allows you to have clear and steady images even in jumpy installation environments. (only for 35X and 36X models).

ICR (IR Cut Filter): All the quaddrix PTZ sped domes are equipped with an ICR filter which in normal light and bright conditions filter the IR light that strikes the CCD providing clearer images and reducing the excessive bright images, and in low light conditions this filter is automatically removed to capture better and cleared images

Multi language OSD menu: The new Quaddrix IPS comes with a built in OSD (On Screen Display) Multilanguage menu where you can select between: English, Spanish, Italian, German and Chinese.

7 i n , 2 out Alarm: QT-222HR has 7 alarm inputs and 2 outputs built-in. This allows a quick alarm verification, automatization of CCTV's system and improving reaction times.

Vandal proof option and weather resistant (IP 66): This Cameras will be suitable for out door environments sensitive to vandalic behaviours and diferent climate conditions with humidity and dust.

TVS 4000 Lightning Proof: Designed with 4000V standards, you can rest assured these cam-eras will withstand the most extreme power condi-tions.

Parts included

???

Definition of reference for cameras PTZ-magna

| SIGLA | Tipos de campana | | Tipo de burbuja | | | Infrarrojos | |
|-------|------------------|---------|-----------------|--------|--------------|-------------|-----------|
| | Indoor | Outdoor | N/A | Normal | Vandal proof | No | SI - 100m |
| N1 | | ● | | ● | | ● | |
| N2 | | ● | | | ● | ● | |
| N3 | ● | | | ● | | ● | |

Parts to be ordered separately

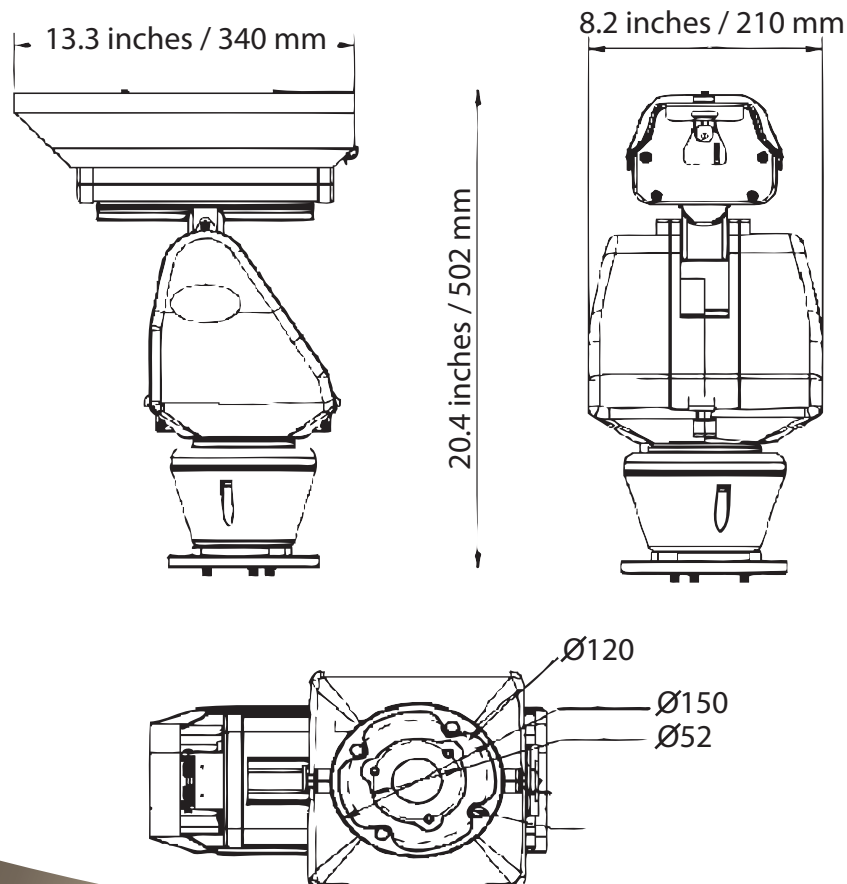
| Order Information | Part Number | Description |
|-------------------|-------------|---|
| Wall Bracket | QT-240W | Wall mount Bracket for QT-240 Series |
| Controller | QT-303/3X | PTZ Controller with Joystick, RS485, 3 axis, Multiprotocol, Power Supply Included |
| Corner Adapter | QT-10C | Corner Adapter, Must be used with QT-110W (for Speed Domes) or QT-240-W (for Integrated Positioning System) |
| Pole Adapter | QT-100-P | Pole Adapter, Must be used with QT-110W (for Speed Domes) or QT-240-W (for Integrated Positioning System) |

REFERENCE GUIDE

| MODEL | CAM | FEATURES | | | | |
|--------|-----|----------|------|---|----|----|
| QT-230 | 23X | WDR | WiFi | V | EX | IN |
| | 26X | | WiFi | V | EX | IN |
| | 35X | WDR | WiFi | V | EX | IN |
| | 36X | | WiFi | V | EX | IN |

WDR: Wide Dynamic Range
V: Vandal Proof
EX: Exterior
IN: Interior

Technical Drawing



Technical specifications:

COMMUNICATIONS

| | |
|----------------|---|
| COM. INTERFACE | RS485/RS422; Bi-Phase, Manchester and Pelco-Coaxitron (optional) |
| PROTOCOLS | SAE, Pelco-D, Pelco-P, Pelco-C, Bosch, AD, VLC, Vicon, Kalatel, Ernitec, Molyx, Diamond and Panasonic |

MECHANICAL

| | |
|-------------------|-------------------|
| PAN | 360° continuously |
| TILT | -90°~40° |
| MANUAL PAN SPEED | 0.1°~70°/s |
| MANUAL TILT SPEED | 0.1°~50°/s |
| PRESET SPEED | 40°/s |
| PRESET ACCURACY | 0.1° |
| NET WEIGHT | 9.6Kg |
| MAX LOAD | 5Kg |

IR Illuminators

| | |
|------------------------|---------------|
| IR emission angle | 20° |
| IR emission half angle | 10° |
| IR Wavelength | 850nm |
| Irradiation distance | 180m |
| Operating temperature | -40°C ~ +60°C |

ENVIRONMENTAL

| | |
|----------------------|--|
| PROTECTION | P66 |
| OPERATING TEMP | 40°C~60°C |
| OPERATING HUMIDITY | 0~90% |
| OPERATING WIND SPEED | 90Km/h |
| WITHSTAND WIND SPEED | 130K/h |
| WITHSTAND RAIN FALL | 4mm/min |
| LIGHTNING PROTECTION | Yes (up to 4000V video and data surge protection) thermostat heater, fan, sun-shield, defroster and wiper. |

FUNCTIONS

| | |
|-----------------------|---|
| OSD MENU | Yes |
| MULTILANGUAGE | Yes (English, Spanish, Italian, German and Chinese) |
| PRESET NUMBER | 220 with titles |
| SEQUENCE | 4 (up to 32 presets each) |
| PATTERNS | 4 (up to 180sec each) |
| PANNING | 4 |
| MSKING ZONE | Yes; up to 8 zones |
| AUTO RUNNING FUNCTION | Yes |

ELECTRICAL

| | |
|-----------------------------------|---------------|
| WORKING VOLTAGE | 4V AC 50/60Hz |
| POWER CONSUMPTION | 60W Max |
| WORKING VOLTAGE WITH HEATER & FAN | 24V AC |
| POWER CONSUMPTION HEATER & FAN | 21 W |

Technical specifications:

| | 23X | 26X | 35X | 36X |
|-------------------------------|---|---|--|---|
| ○ Scan System | Progressive Scan | 2:1 Interlacing | 2:1 Interlacing | 2:1 Interlacing |
| ○ Image Sensor | 1/4" Sony ExView Progressive Scan CCD | 1/4" SONY ExView HAD CCD | 1/4" SONY ExView HAD CCD | 1/4" SONY ExView HAD CCD |
| ○ Total Pixels | NTSC: 758(H)x504(V); PAL: 758 x 592 | NTSC: 768(H) x 494(V); PAL: 752(H) x 582(V) | NTSC: 768(H) x 494(V); PAL: 752(H) x 582(V) | NTSC: 768(H) x 494(V); PAL: 752(H) x 582(V) |
| ○ Effective Pixels | 360.000 pixels aprox | 380.000 pixels aprox | 380.000 pixels aprox | 380.000 pixels aprox |
| ○ Scan Frequency (H/V) | NTSC: 15.734 Khz /60Hz; PAL: 15.625 Khz/50Hz | NTSC: 15.734 Khz /60Hz; PAL: 15.625 Khz/50Hz | NTSC: 15.734 Khz /60Hz PAL: 15.625 Khz/50Hz | NTSC: 15.734 Khz /60Hz; PAL: 15.625 Khz/50Hz |
| ○ Horizontal Resolution | 470TVL (color) / 550TVL(B&W) | 470 TVL (color) / 550 TVL (B&W) | 520 TVL (color)/ 540TVL(B&W) | 470 TVL (color) / 550 TVL (B&W) |
| ○ Sensitivity | 0.08Lux (color) / 0.013lux (B/W) | 0.7 lux (color) / 0,01 lux (B/W) | 0.05 lux (color)/ 0,01 lux (B/W) | 0.1 lux (color)/ 0,01 lux (B/W) |
| ○ Zoom Ratio | 230x (optical 23X, digital 10X) | 312X (Optical 26X, Digital 12X) | 420x (optical 35X, digital 12X) | 432X (Optical 36X, Digital 12X) |
| ○ Sync System | Internal/Line-Lock | Internal | Internal | Internal |
| ○ S/N | More than 50dB | More than 50 dB | More than 50 dB | More than 50 dB |
| ○ White Balance | Auto/Manual | Auto / Manual | Auto | Auto / Manual |
| ○ BLC | Off / Auto | Off / Auto | Auto | Off / Auto |
| ○ WDR | Yes (Off/On; Auto, offset/Manual) | No | Yes (Off/On; Auto, offset/ Manual) | No |
| ○ Electronic Image Stabilizer | No | Yes | Yes | Yes |
| ○ ICR Cut Filter | Yes (Auto/Manual) | Yes (Auto/Manual) | Yes (Auto/Manual) | Yes (Auto/Manual) |
| ○ DSS | Yes | No | No | No |