

oQ - 200 - 10X



General

Now the Quaddrix Athena speed dome series break through into the IP world with the oQ-200 IP Speed Domes line, combining all the PTZ capabilities and functions of the traditional 200 series with a high end IP technology to bring you this new IP openQ PTZ line.

Functions

- Super compact structure & Light Weighted (less than 1.7Kg)
- Multi-language OSD menu (9 languages: English, French, Spanish, Portuguese, Italian, Polish Russian, Chinese).
- High resolution camera.
- 360° pan & 180° tilt (auto flip).
- 270°/s preset speed & 0.1° preset precision.

Technical specifications:

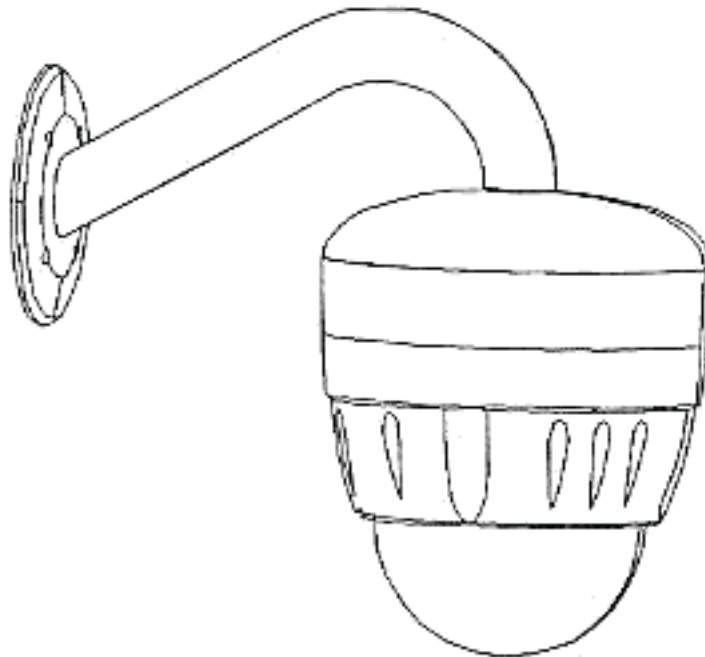
Technical data table of the MiniDome

Pan range	360°
Tilt range	0-180°
Preset location	220 presets
Tours	4 Tours
Scan mode	4 scan
360° run mode	Adjustable speed
OSD system	Setup Parameter, Setup Title, XY position, Auto Clear Screen
Protocol	VLC, PELCO-P, PELCO-D, MOLYNX, VICON, DIAMOND, KALATEL
Baud rate	2400bps, 4800bps, 9600bps, 19200bps
Pan Tilt speed	Min: 1°/s, Max: 150°/s
Communications mode	RS485 bus, max distance: 1200m
Power supply	12VDC 1.5 Amp

Technical data table of the CAMERA

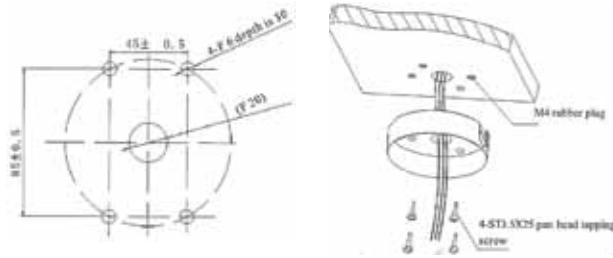
Image Sensor	1/4" inter liner transfer CCD
Auto iris	Yes
Auto focus	Yes
Zoom	100X (optical 10X, digital 10X)
Resolution (TVL)	500TVL at Color mode and 570TVL at BW mode
sensitivity	0.7Lux (color); 0.02Lux (B/W)
Effective pixels	768(H)*494(V)
Focal length	3.8~38.0mm
Angle of view	H: 51.2°(wide) – 5.58°(tele); V:39.3°(wide) – 4.27°(tele)
Sync system	Internal / VD-lock
S/N	50dB (AGC off)
Scan system	2:1 interlacing
White balance	Auto / manual
BLC	Low / middle / high / off (selectable)
Video output	BNC 1.0Vp-p

Technical Drawing



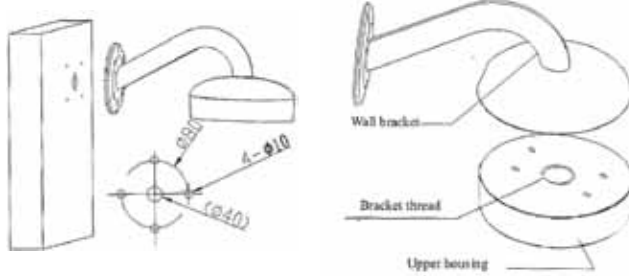
Technical Drawing

Surface Mount



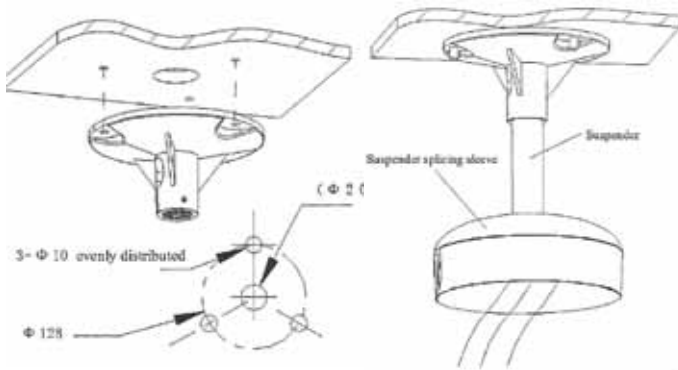
Wall Mount Accesories

QTX-200-WB-V2



Pendant Mount Accesories

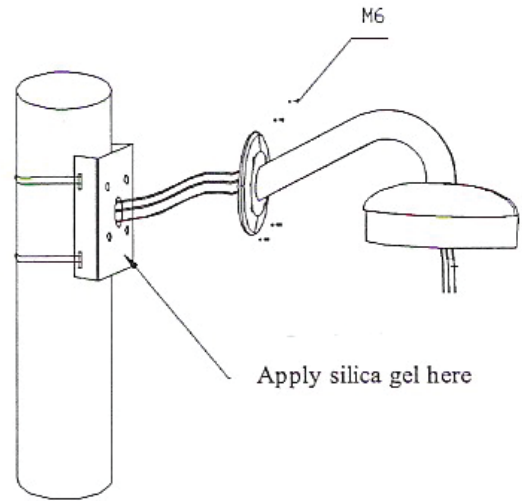
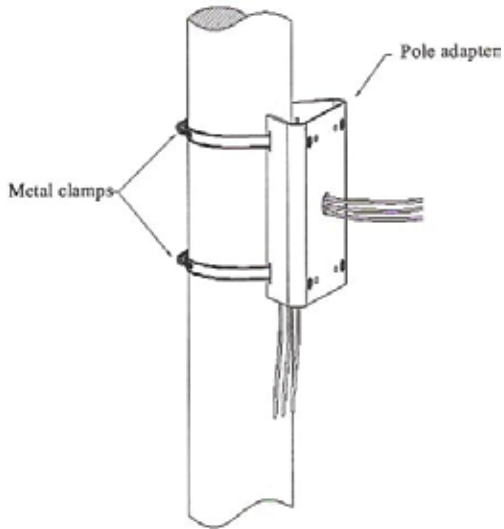
QT-200-PEB-V2



Technical Drawing

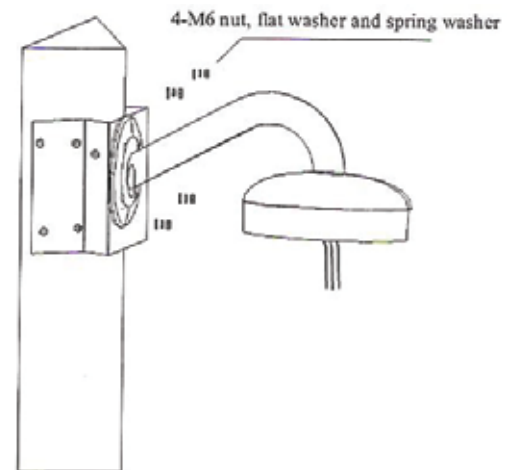
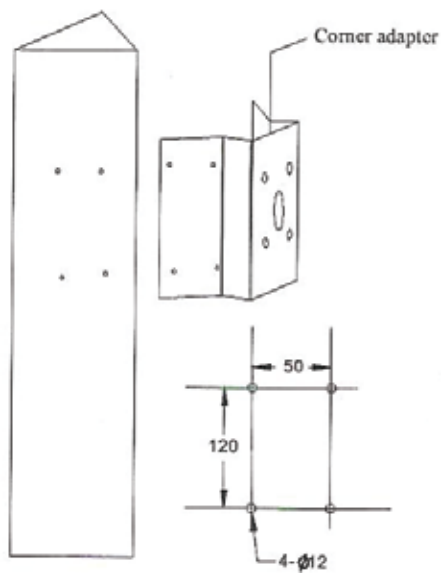
Pole Mount Accesories

QTX-200-P-V2



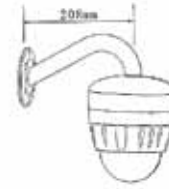
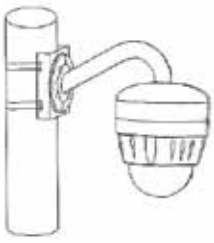
Corner Mount Accesories

QTX-200-C-V2



Applications

POLE MOUNT PENDANT MOUNT SURFACE MOUNT WALL MOUNT CORNER MOUNT



NETWORK SPECS (apply for all IP models)

General

BUILT IN WEB BROWSER	Yes
INTERNAL STORAGE	Yes (2Gb for local storage)
SECURITY	Multiple user access levels with password protection
USERS	UP to 10 users real time monitoring (account reusables)
WIFI	Yes, 802.11b/g (only for W models)
ALARM INPUT	2 channels
ALARM OUTPUT	1 channel
NETWORK INTERFACES	1 CH RJ-45 10M/100M self-adaptive Ethernet
CONNECTORS	1 802.11b/g WIFI (only for W models) 1 RJ-45 1 Alarms socket 1 Mic IN 1 Audio Out 1 12VDC Jack
NETWORK PROTOCOLS	UDP/IP, TCP/IP, DNS, PPPoE, DDNS
STREAM CONTROL MODE	CBR (Constant Bit Rate) / VBR (Variable Bit Rate)
FRAME RATE CONTROL	ACF (Active Control Frame)
DUAL STREAM	Yes
MOTION DETECTION	Yes
PTZ CONTROL	Yes

Mechanical

PRESET NUMBER	220 with titles
PATTERNS	4
PRESET TOUR	4 preset positions
PRIVACY MASKING	4
AUTO PAN	4
CONTROL BOARD	RS485 for analog control
BAUD RATE	2400/4800/9600/19200bps
ID RANGE	0~255
Pan Speed (Manual)	0.5 ~ 120°/s
Tilt Speed (Manual)	0.5 ~ 90°/s
Preset Speed	> 300°/s
Accuracy	±0.1°
Rotation	Pan 360° continuously Tilt 0°-108°
Zoom Speed	3.9s/6.3s (wide tele)
Auto Flip	Yes Rotates 180° a the bottom of the dome
Down Cover	Transparent (Default)
Operation Temperature	-40° ~ 50°C
Operation Humidity	0 ~ 95% %
Environmental Protection	IP 66 Weather proof housing
Lightning Protection	TVS 4000 lightning proof Surge proof.
Dimensions	170X150mm

Apply for all series

Video

SIGNAL SYSTEM	NTSC
OUTPUT	1 CH RJ45 network connector
VIDEO COMPRESSION	H.264
ENCODE SPEED	NTSC: 1~30Fps adjustable
ENCODE RESOLUTION	D1, HD1, CIF, QCIF, QVGA, QQVGA (real time)
VIDEO QUALITY	1~6 (1 lowest, 6 highest)
MOBILE DEVICE VIEW	Yes PocketQ supported

Power

Apply for all series

Voltage	12 VDC
Recommended Power supply	QT-12VDC-2A

Audio

AUDIO COMPRESSION	G.711/AMR
CROSS TALKING	Yes
INPUT	1 CH Stereo Jack (for microphone)
OUTPUT	1 CH Stereo Jack