



General

The Quaddrix oQ-240 integrated positioning system counts with the integration of a high speed and variable speed system that provides a smooth, continuous and stable motion due to its high speed decoder and PTZ plate built-in mechanism, combined with powerful Quaddrix IP systems to create a complete solution for high end perimetral surveillance system over IP.

Functions

WDR (Wide Dynamic Range): This function allows you to obtain detailed images, even in a mixture of overly bright and dark scenes (only in 23 and 35x models).

ICR (IR Cut Filter): all the Quaddrix PTZ domes are equipped with an ICR filter, which in normal light and bright light conditions filters the infrared light rays that strike the camera's CCD, providing clearer images and reducing the excessive bright images; in low light conditions, this ICR filter is automatically removed by the camera to capture better and clearer images.

DSS (Digital Slow Shutter): This special function allows the camera to have a long exposure time, providing higher sensitivity in low light environments. (Only for 23X models)

EIS (Electronic Image Stabilizer): This function allows you to have clear and steady images, even in jumpy installation environments (only for 26X and 35X models).

High precision movement: this device ensures you a 0.1° positioning accuracy due to its high standard stepper motor mechanism, eliminating all the vibration caused by the motion.

100~160mts IR lights for long range night vision: unique Quaddrix device that provides between 100 and 160 mts infrared coverage for low or zero light environments.

Built in internal memory for video storage: You can have 2 or more hours of video recording (at medium resolution according to the memory capacity) that ensures video recording in case of network failures.

Built in Web server: allows video live preview, camera configuration, playback, backup and local recording from Internet Explorer.

SoftQ systems compatible: full camera control and management from Quaddrix NVS systems, SoftQ Basic (included), and SoftQ Professional software (sold separately).

Wireless connection: Support wireless network, IEEE802.11g/b (only for wireless models)

Dual stream supported: allows you to have two different video encoding modes simultaneously for different network environment.

H.264 compression: Quaddrix IP cameras use the most advanced video encoding technology, H.264, and support video resolutions of up to D1@30Fps.

Technical specifications:

Optical specification

oQ-240-23M1
oQ-240-23M1W
oQ-240-23M2
oQ-240-23M2W

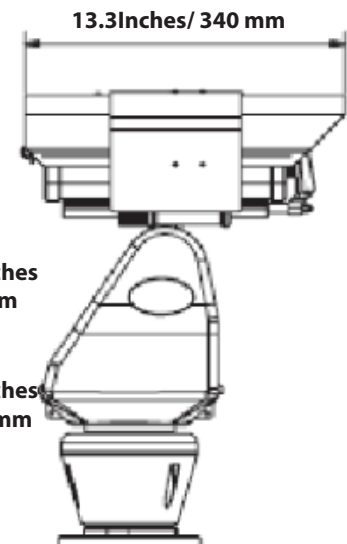
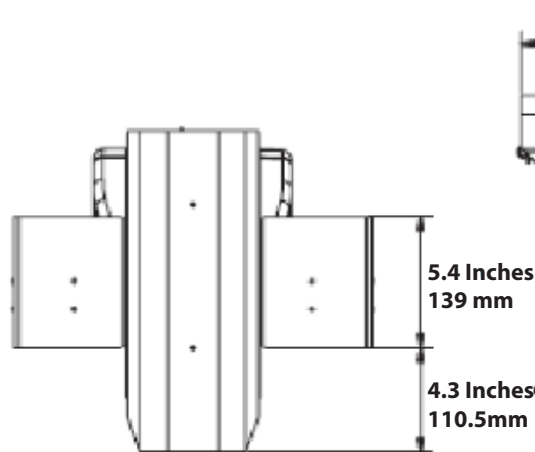
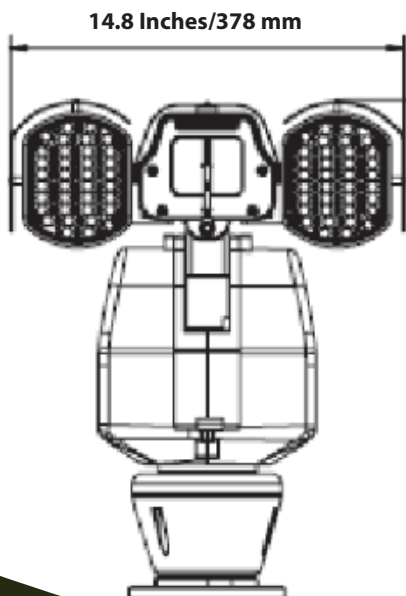
Image Sensor	1/4" Sony ExView Progressive Scan CCD
Scan System	Progressive Scan
Total Pixels	NTSC: 758(H) x 504(V) PAL: 758(H) x 592(V)
Effective Pixels	360.000 pixels aprox
Scan Frequency (H/V)	NTSC: 15.734 Khz /60Hz PAL: 15.625 Khz/50Hz
Horizontal Resolution	470TVL (color) / 550TVL(B&W)
Sensitivity	0.08Lux (color) 0.013lux (B/W) 0Lux (Infarreds ON)
Zoom Ratio	230x (optical 23X, digital 10X)
Sync System	Internal / Line-Lock
S/N	More than 50dB
White Balance	Auto/Manual
BLC	Off / Auto
WDR	Yes (On / Off, Auto, Offset, manual)
Electronic Image Stabilizer	No
ICR Cut Filter	Yes (Auto/Manual)
DSS	Yes
Angle Of View	54° (wide) - 2.5° (tele)
Aperture	F1.6 ~ F3.7
Focal Length	f=3.6 - 82.8mm

Optical specification

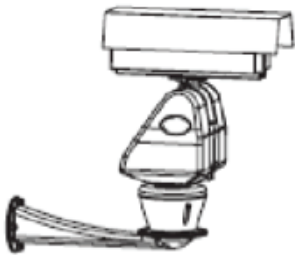
oQ-240-35M1
oQ-240-35M1W
oQ-240-35M2
oQ-240-35M2W

Image Sensor	1/4" SONY ExView HAD CCD
Scan System	2:1 Interlacing
Total Pixels	NTSC: 768(H) x 494(V) PAL: 752(H) x 582(V)
Effective Pixels	380.000 pixels aprox
Scan Frequency (H/V)	NTSC: 15.734 Khz /60Hz PAL: 15.625 Khz/50Hz
Horizontal Resolution	520 TVL (color)/ 540TVL(B&W)
Sensitivity	0.05 lux (color) 0,01 lux (B/W) 0Lux (Infarreds ON)
Zoom Ratio	420x (optical 35X, digital 12X)
Sync System	Internal
S/N	More than 50dB
White Balance	Auto
BLC	Auto
WDR	Yes (On / Off, Auto, Offset, manual)
Electronic Image Stabilizer	Yes
ICR Cut Filter	Yes (Auto/Manual)
DSS	No
Angle Of View	55.8° (wide) ~ 1.7° (tele)
Aperture	F1.4 ~ F4.2
Focal Length	f = 3.4 ~ 119 mm

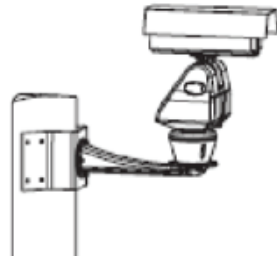
Technical Drawing



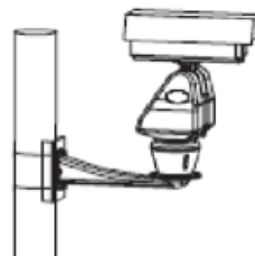
Applications



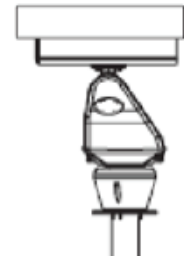
WALL MOUNT



CORNER MOUNT



POLE MOUNT



PEDESTAL MOUNT

NETWORK SPECS (apply for all IP models)

General

BUILT IN WEB BROWSER	Yes
INTERNAL STORAGE	Yes (2Gb for local storage)
SECURITY	Multiple user access levels with password protection
USERS	UP to 10 users real time monitoring (account reusables)
WIFI	Yes, 802.11b/g (only for W models)
ALARM INPUT	2 channels
ALARM OUTPUT	1 channel
NETWORK INTERFACES	1 CH RJ-45 10M/100M self-adaptive Ethernet
CONNECTORS	1 802.11b/g WIFI (only for W models) 1 RJ-45 1 Alarms socket 1 Mic IN 1 Audio Out 1 12VDC Jack
NETWORK PROTOCOLS	UDP/IP, TCP/IP, DNS, PPPoE, DDNS
STREAM CONTROL MODE	CBR (Constant Bit Rate) / VBR (Variable Bit Rate)
FRAME RATE CONTROL	ACF (Active Control Frame)
DUAL STREAM	Yes
MOTION DETECTION	Yes
PTZ CONTROL	Yes

Video

SIGNAL SYSTEM	PAL/NTSC
OUTPUT	1 CH RJ45 network connector
VIDEO COMPRESSION	H.264
ENCODE SPEED	NTSC: 1~30Fps adjustable PAL: 1~25Fps adjustable
ENCODE RESOLUTION	D1, HD1, CIF, QCIF, QVGA, QQVGA (real time)
VIDEO QUALITY	1~6 (1 lowest, 6 highest)
MOBILE DEVICE VIEW	Yes PocketQ supported

Power

Apply for all series

Voltage	24V AC
Power consumption	55W(IR Off) / 95W (IR On)
Recommended Power supply	N/A

Mechanical

Apply for all series

PRESET NUMBER	220 with titles
PATTERNS	4
PRESET TOUR	4 with up to 32 preset positions each
PRIVACY MASKING	8
AUTO PAN	4
CONTROL BOARD	RS485 for analog control
BAUD RATE	2400/4800/9600/19200bps
ID RANGE	0~255
Pan Speed (Manual)	0.1 ~ 70°/s
Tilt Speed (Manual)	0.1 ~ 50°/s
Preset Speed	> 140°/s
Accuracy	±0.1°
Rotation	Pan 360° continuously Tilt -90° ~40°
Zoom Speed	3.9s/6.3s (wide tele)
Operation Temperature	-40° ~ 60°C
Operation Humidity	0 ~ 90% %
Environmental Protection	IP 66 Weather proof housing
Lightning Protection	TVS 4000 lightning proof
Dimensions	100mm (H) x 13.3Inches/ 340 mm(L) x 14.8 Inches/378 mm (W)
WIPER:	Yes, it can be controlled from OSD

IR

oQ-240-23M2; oQ-240-23M2W; oQ-240-35M2; oQ-240-35M2W

IR Emission angle	20°
IR Wavelength	850nm
IR irradiation distance	100~160mts (according to the installation environment)
IR power consumption	40W

Audio

AUDIO COMPRESSION	G.711/AMR
CROSS TALKING	Yes
INPUT	1 CH Stereo Jack (for microphone)
OUTPUT	1 CH Stereo Jack