



General

Get all the details of the scene with the Quaddrix® viewQ oQ-61 Mini Dome Series. The best combination of an easy to install mini dome camera and powerful 690 TVL Effective resolution image sensor. With the varifocal lens 2.8-10mm you will be able to meet all of your surveillance requirements.

Parts Included

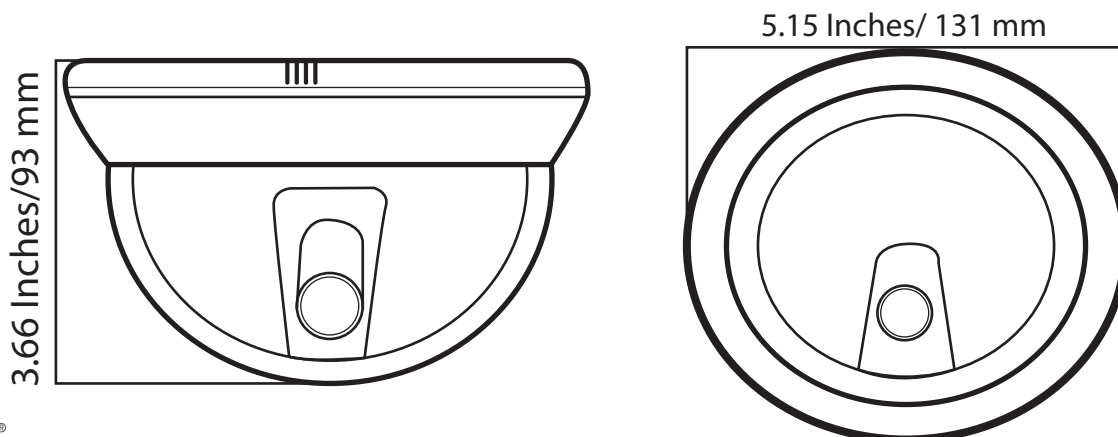
- oQ-61 Mini Dome • Printed manual
- CD ROM (with manual & software applications)

NOTE: for W models (WiFi models) the antenna is not included

Parts To Be Ordered Separately

Order Information	Part Number	Description
Power Supply	QT-12DC-1.25A	Power Supply 12VDC 1200mA
Antenna		(only for WiFi device)

Technical Drawing



Technical Specifications

Optical Specifications

oQ 61 J3 - oQ 61 J3W

Imaging

Horizontal Resolution	690 HTVL Equivalent
Vertical Resolution	460 VTVL
Dynamic Range	120dB max (102db Typical)
Sensitivity	0.1 Lux min illumination f1.2, 50 IRE, 30 FPS, 2850K, Color)
Digital Slow Shutter	2x/ 4x/ 8x/ 16x/ 32x
Noise Reduction	3D Motion Adaptive Noise Reduction (3DNR)
SNR	> 50 dB MAX
AGC	Programmable up to 50 dB
Auto Iris	DC,
Back Light Compensation	BLC On/Off
Day/Night	True Day, Night
White Balance	ATW, PTWB
WB Range	2000 - 11,000K
Meterig Zones	4, User Definable

Video

Video Standards	NTSC/PAL (software selectable)
Aspect Ratio	4:3 - 16:9 Scaled
Synchronization	Internal or Line Lock
Flicker Reduction	On/Off
Image Flip	Horizontal and Vertical
Image Freeze	Yes

oQ 61 J3 - oQ 61 J3W

Interfaces

Identifiers	Camera ID / Camera Number
Local Control	OSD control interface in camera cable
Visual	On-screen Display
Privacy Zones	12 Programmable Zones
Activity Zones	4 Programmable Zones

Sensor

Type	Digital Pixel System ©
Capture	Global Electronic Shutter
Electronic Shutter Speed	1/25 - 1/30 720 second(f.1/2)
Optical Format	1/3" (6.3mm Image Diagonal)
Total Pixels	768 x 548 (420, 864)
Effective Pixels	758x540(409,320)
Pixel Size	7um x 7um
Color Filter Array	CMY+OLPF and IR Cut Filter

Power Supply

Voltage	12 VDC +/- 10%
Power	9.6 Watts

Enviromental

Temperature	-10 to 50 Degrees C (operating)
--------------------	---------------------------------

IP Connection

oQ 61 J3 - oQ 61 J3W

Network

- IP video/audio streaming (dual stream supported)
- Max supports 10 connections. MULTICAST available for more connections (*Multicast router required)
- Protocols: HTTP, TCP, UDP.
- E-mail notification.
- Support web access.
- IP Module configuration and management using Web, softQ Basic or softQ Professional
- Support PoE (* Only for PoE models)
- Support system resource information and running status real-time display.

Other Specifications

oQ 61-j3 oQ 61-j3W

Lens

Lens Type	Vari Focal
Focal Length	2.8~10mm
Angle of View	20°~65°(V) / 27°~81° (H)
Mount Type	Board
Iris Control	Auto Iris DC
TDN (True Day Night)	Yes. Mechanical Filter

Technical Specifications

Network Specifications

oQ 61 J3 - oQ 61 J3W

General	
BUILT IN WEB BROWSER	Yes
INTERNAL STORAGE	Yes (Up to 2Gb for local storage)
SECURITY	Multiple user access levels with password protection
USERS	UP to 10 users real time monitoring (account reusable's) or multiple users using MULTICAST
WIFI	Yes, 802.11b/g (only for WiFi models)
NETWORK INTERFACES	1 CH RJ-45 10M/100M self-adaptive Ethernet 1 802.11b/g WIFI (only for W models)
CONNECTORS	1 Mic IN 1 Audio Out 1 12VDC Jack
NETWORK PROTOCOLS	UDP/IP, TCP/IP, DNS, PPPoE, DDNS
STREAM CONTROL MODE	CBR (Constant Bit Rate) /VBR (Variable Bit Rate)
FRAME RATE CONTROL	ACF (Active Control Frame)
DUAL STREAM	Yes
MOTION DETECTION	Yes

oQ 61 J3 - oQ 61 J3W

Mechanical	
Dimensions	2.4Inchs (H) x 3.7Inchs (φ)
Operation temperature	-10°C ~ 50°C
Operation humidity	20% ~ 80%
Environmental protection	For Indoor use
Vandal proof	No
Accessories	N/A
Power	
Voltage	12V DC
Power consumption	800mA
Recommended Power supply	QT-12VDC-1.25A
Video	
Signal System	PAL/NTSC
Output	1 CH RJ45 network connector
Video Compression	H.264
Encode Speed	NTSC: 1~30Fps adjustable PAL: 1~25Fps adjustable
Encode Resolution	D1, HD1, CIF, QCIF, QVGA, QQVGA (real time)
Video Quality	1~6 (1 lowest, 6 highest)
Mobile Device View	Yes PocketQ supported

Functions

- **Built in internal memory for video storage** where you can have from 2 hours of video recording (at medium resolution according to the memory capacity) ensuring video recording in case of network failures.
- **Built in Web server** allows video live preview, camera configuration, playback, backup and local record from Internet Explorer.
- **SoftQ systems compatible** full camera control and management from Quaddrix NVS systems SoftQ Basic (included) and SoftQ Professional software (sold separately).
- **Built-in video intelligence functions** such as motion detection, camera masking detection, external alarm connection and alarm output; E-mail event notification with attached snapshots scheduled FTP snapshot and recording upload.
- **Wireless connection** Support wireless network, IEEE802.11g/b (for W models only).
- **Dual stream supported** allows you to have two different video encoding modes simultaneously for different network environment.
- **Quaddrix IP cameras** use the most advanced video encoding technology H.264 and supports video resolutions of up to D1@30Fps.
- **viewQ's Digital Pixel System Technology** delivers high-resolution, crystal clear images that accurately capture every aspect of any scene.
- **Ultra-wide dynamic Range** imaging accurately captures all of the critical details in a scene including highlights, shadows, and everything in between without compromising image quality or color accuracy
- **Effective Resolution Is Usable Resolution:** Increased vertical resolution increases a camera's effective image resolution. Higher VTVL allows CCTV cameras to capture more usable detail in an image. At the same time it prevents the camera from capturing false color noise that obscures details in images, unnecessarily bloats DVR file sizes, and confuses analytics algorithms. Standard DVRs as well as standard. CRT and LCD video monitors support the additional vertical resolution. Effective resolution, as its name implies, is the best indicator for video security professionals of how effective a CCTV camera is really going to be in terms of capturing detail in an image.
- Enhanced low-light performance makes **viewQ** the natural choice for both indoor and outdoor cameras for all lighting conditions.
- **DNR (Digital Noise Reduction):** The Digital Noise Reduction technology (DNR) improves Image quality by reducing fixed and random noises; as an additional benefit, DNR will help to optimize the recording process.