



### General

viewQ oQ 810 All In One camera provides color images in bright lighting conditions, and automatically adjusts to black-and-white images when the light level drops. Even in complete darkness, provides clear, accurate images with the support of infrared illuminators. Weatherproof housing, mounting bracket and power supply included.

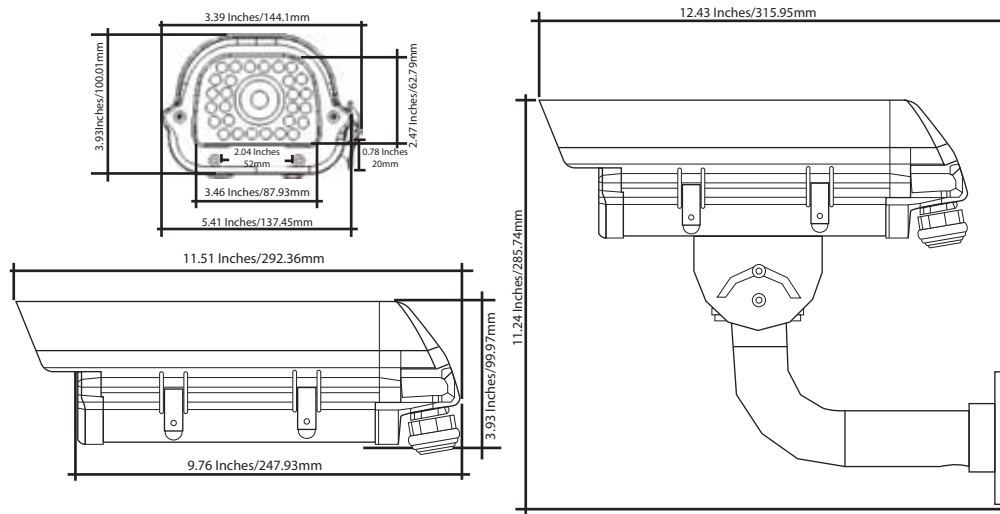
### Parts Included

- OQ-810 All in one camera
- Wall Bracket

### Parts To Be Ordered Separately

Order Information	Part Number	Description
Power Supply	QT-12DC-1.25A	Power Supply 12VDC 1250mA

### Technical Drawing



## Technical Specifications

## Optical Specifications

## oQ-810 J11 / J11W | oQ 810 J12 / J12W

## Imaging

<b>Horizontal Resolution</b>	690 HTVL Equivalent
<b>Vertical Resolution</b>	460 VTVL
<b>Dynamic Range</b>	120dB max (102db Typical)
<b>Sensitivity</b>	0.1 Lux min illumination f1.2, 50 IRE, 30 FPS, 2850K, Color)
<b>Digital Slow Shutter</b>	2x/ 4x/ 8x/ 16x/ 32x
<b>Noise Reduction</b>	3D Motion Adaptive Noise Reduction (3DNR)
<b>SNR</b>	> 50 dB MAX
<b>AGC</b>	Programmable up to 50 dB
<b>Auto Iris</b>	DC
<b>Back Light Compensation</b>	BLC On/Off
<b>Day/Night</b>	True Day, Night
<b>White Balance</b>	ATW, PTWB
<b>WB Range</b>	2000 - 11,000K
<b>Meterig Zones</b>	4, User Definable

## Video

<b>Video Standards</b>	NTSC/PAL (software selectable)
<b>Aspect Ratio</b>	4:3 - 16:9 Scaled
<b>Synchronization</b>	Internal or Line Lock
<b>Flicker Reduction</b>	On/Off
<b>Image Flip</b>	Horizontal and Vertical
<b>Image Freeze</b>	Yes

## oQ-810 J11 / J11W | oQ 810 J12 / J12W

## Interfaces

<b>Identifiers</b>	Camera ID / Camera Number
<b>Local Control</b>	OSD control interface in camera cable
<b>Visual</b>	On-screen Display
<b>Privacy Zones</b>	12 Programmable Zones
<b>Activity Zones</b>	4 Programmable Zones

## Sensor

<b>Type</b>	Digital Pixel System ©
<b>Capture</b>	Global Electronic Shutter
<b>Electronic Shutter Speed</b>	1/25 - 1/30 720 second(f.1/2)
<b>Optical Format</b>	1/3" (6.3mm Image Diagonal)
<b>Total Pixels</b>	768 x 548 (420, 864)
<b>Effective Pixels</b>	758x540(409,320)
<b>Pixel Size</b>	7um x 7um
<b>Color Filter Array</b>	CMY+OLPF and IR Cut Filter

## Power Supply

<b>Voltage</b>	12 DVC +/- 10%
<b>Power</b>	12 Watts

## Enviromental

<b>Temperature</b>	-10 to 50 Degrees C (operating)
--------------------	---------------------------------

## Other Specifications

## oQ-810 J11 / J11W | oQ 810 J12 / J12W

## Lens

<b>Lens Type</b>	Vari Focal	
<b>Focal Length</b>	2.8~10mm*	9~22mm
<b>Angle of View</b>	20°~65°(V) / 27°~81° (H)	9°~23°(V) / 12°~30°(H)
<b>Mount Type</b>	Board	Board
<b>Iris Control</b>	Auto Iris DC	Auto Iris DC
<b>TDN (True Day Night)</b>	Yes. Mechanical Filter	Yes. Mechanical Filter

## IR Illumination

<b>Infrared Wavelength</b>	850nm	850nm
<b>Infrared Distance</b>	50mt	50mt

## Power

<b>Voltage</b>	12VDC	12VDC
<b>Power consumption</b>	1 AMP	1 AMP
<b>Recommended Power supply</b>	QT-12DC-1.25A	QT-12DC-1.25A

## Audio

<b>Audio Compression</b>	G.711/AMR	G.711/AMR
<b>Cross Talking</b>	Yes	Yes
<b>Input</b>	1 CH Stereo Jack (for microphone)	1 CH Stereo Jack (for microphone)
<b>Output</b>	1 CH Stereo Jack	1 CH Stereo Jack

\* For focal lengths lower than 3.3 mm, you will have dark zone on image edges.

## Technical Specifications

### Network Specifications

#### oQ-810 J11 / J11W | oQ 810 J12 / J12W

General	
<b>BUILT IN WEB BROWSER</b>	Yes
<b>INTERNAL STORAGE</b>	Yes (Up to 2Gb for local storage)
<b>SECURITY</b>	Multiple user access levels with password protection
<b>USERS</b>	UP to 10 users real time monitoring (account reusable's) or multiple users using MULTICAST
<b>WIFI</b>	Yes, 802.11b/g (only for WiFi models)
<b>NETWORK INTERFACES</b>	1 CH RJ-45 10M/100M self-adaptive Ethernet 1 802.11b/g WIFI (only for W models)
<b>CONNECTORS</b>	1 Mic IN 1 Audio Out 1 12VDC Jack
<b>NETWORK PROTOCOLS</b>	UDP/IP, TCP/IP, DNS, PPPoE, DDNS
<b>STREAM CONTROL MODE</b>	CBR (Constant Bit Rate) /VBR (Variable Bit Rate)
<b>FRAME RATE CONTROL</b>	ACF (Active Control Frame)
<b>DUAL STREAM</b>	Yes
<b>MOTION DETECTION</b>	Yes

#### oQ-810 J11 / J11W | oQ 810 J12 / J12W

Mechanical	
<b>Dimensions</b>	2.4Inches (H) x 3.7Inches (φ)
<b>Operation temperature</b>	-10°C ~ 50°C
<b>Operation humidity</b>	20% ~ 80%
<b>Environmental protection</b>	For Indoor use
<b>Vandal proof</b>	No
<b>Accessories</b>	N/A
Power	
<b>Voltage</b>	12V DC
<b>Power consumption</b>	1A
<b>Recommended Power supply</b>	QT-12VDC-1.25A
Video	
<b>Signal System</b>	PAL/NTSC
<b>Output</b>	1 CH RJ45 network connector
<b>Video Compression</b>	H.264
<b>Encode Speed</b>	NTSC: 1~30Fps adjustable PAL: 1~25Fps adjustable
<b>Encode Resolution</b>	D1, HD1, CIF, QCIF, QVGA, QQVGA (real time)
<b>Video Quality</b>	1~6 (1 lowest, 6 highest )
<b>Mobile Device View</b>	Yes PocketQ supported

### IP Connection

#### oQ-810 J11 / J11W | oQ 810 J12 / J12W

##### Network

- IP video/audio streaming (dual stream supported)
- Max supports 10 connections. MULTICAST available for more connections (\*Multicast router required)
- Protocols: HTTP, TCP, UDP.
- E-mail notification.
- Support web access.
- IP Module configuration and management using Web, softQ Basic or softQ Professional
- Support PoE (\* Only for PoE models)
- Support system resource information and running status real-time display.

### Functions

- **viewQ's Digital Pixel System Technology** delivers high-resolution, crystal clear images that accurately capture every aspect of any scene.
- **Ultra-wide dynamic Range** imaging accurately captures all of the critical details in a scene including highlights, shadows, and everything in between without compromising image quality or color accuracy
- **Effective Resolution Is Usable Resolution:** Increased vertical resolution increases a camera's effective image resolution. Higher VTVL allows CCTV cameras to capture more usable detail in an image. At the same time it prevents the camera from capturing false color noise that obscures details in images, unnecessarily bloats DVR file sizes, and confuses analytics algorithms. Standard DVRs as well as standard. CRT and LCD video monitors support the additional vertical resolution. Effective resolution, as its name implies, is the best indicator for video security professionals of how effective a CCTV camera is really going to be in terms of capturing detail in an image.
- Enhanced low-light performance makes **viewQ** the natural choice for both indoor and outdoor cameras for all lighting conditions.
- **IR Capability:** The Infrared lighting option included in the QT-X-810 series will operate in supervised areas up to 50mts with low and zero visibility, thereby improving the performance of your CCTV solution.
- **DSS (Digital Show Shutter):** DSS improves camera performance under low light conditions with its automatic shutter speed by allowing lighter path to the camera to improve its level of sensitivity.
- **DNR (Digital Noise Reduction):** The Digital Noise Reduction technology (DNR) improves image quality by reducing fixed and random noises; as an additional benefit, DNR helps optimize the recording process.
- **Weatherproof IP66 Rated,** created to withstand the toughest weather conditions and can be used in bright sunlight or rain.