



General

Quaddrix is proud to introduce the new **oQ-MEGA** Mega Pixel camera, the perfect choice to get extremely high quality images (up to 2MP resolution) even in low light environments, making resolution and image quality a restriction of the past.

Functions

Built in internal memory for video storage: You can now store 2 or more hours of video recording (at medium resolution, according to the memory capacity), ensuring video recording in case of network failures.

Built in Web server: allows video live preview, camera configuration, playback, backup, and local recording from Internet Explorer.

SoftQ systems compatible: full camera control and management from Quaddrix NVS systems SoftQ Basic (included) and SoftQ Professional software (sold separately).

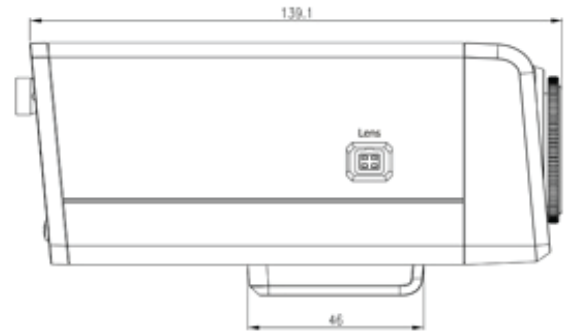
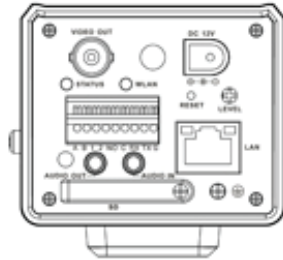
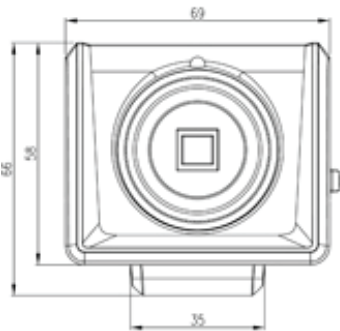
Built-in video intelligence functions: Features such as motion detection, camera masking detection, external alarm connection and alarm output are included, as well as e-mail event notification with attached snapshots, scheduled FTP snapshot, and recording upload.

Wireless or PoE connection: Support wireless network IEEE802.11g/b or PoE IEEE802.3af (only for wireless or PoE models) .

Dual stream supported: allows you to have two different video encoding modes simultaneously for different network environments.

Quaddrix IP cameras use the most advanced video encoding technology, H.264, and support video resolutions from QQVGA (160 x 120) up to UXGA (1600 x 1200 2.0Mega Pixels).

Technical Drawing



Technical specifications:

Optical specification

oQ-MEGA

Image Sensor	1/3" CMOS
Effective Pixels	1600(H)×1200(V)
Signal System	PAL / NTSC
Resolution	2.0 Mega Pixels
Sensitivity	0.1Lux/F1.2; 0Lux IR On
Day/Night function	Yes
S/N Ratio	More than 50dB
Electronic Shutter	Auto/Manual, 1/50~ 1/10000s
White Balance	Auto
Gamma Correction	0.45
Sync mode	Internal
AGC	Auto/Manual
WDR	No
OSD	No, All camera parameters can be set through Network

NETWORK SPECS

General

BUILT IN WEB BROWSER	Yes
INTERNAL STORAGE	Yes (from to 2Gb for local storage)
SECURITY	Multiple user access levels with password protection
USERS	UP to 10 users real time monitoring (account reusable's)
ALARM INPUT	2 channels
ALARM OUTPUT	1 channel
NETWORK INTERFACES	1 CH RJ-45 10M/100M self-adaptive Ethernet
CONNECTORS	1 BNC Connector for analog video out 1 Alarms socket 1 Mic IN 1 Audio Out 1 12VDC Jack
NETWORK PROTOCOLS	HTTP, TCP/IP, UDP, SMTP, FTP, DHCP, DNS, DDNS, NTP, ICMP, RTPS, RTP,
STREAM CONTROL MODE	CBR (Constant Bit Rate) / VBR (Variable Bit Rate)
FRAME RATE CONTROL	ACF (Active Control Frame)
DUAL STREAM	Yes
MOTION DETECTION	Yes
ePTZ CONTROL	Yes, available at 720p/SVGA/D1 resolution.

Technical specifications:

Video

SIGNAL SYSTEM	NTSC
OUTPUT	1 CH RJ45 network connector
VIDEO COMPRESSION	H.264 / JPEG
ENCODE SPEED	Main Stream: UXGA (1-15fps), Others (1-30fps) Extra Stream: D1/HD1/CIF/QCIF/VGA (1-30fps)
ENCODE RESOLUTION	1600×1200, 1280×720, 800×600, 704×576, 640×480, 528×384, 704×288, 352×288, 176×144
VIDEO QUALITY	1~6 (1 lowest, 6 highest)
VIDEO BIT RATE	32K~8Mbps
MOBILE DEVICE VIEW	Yes PocketQ supported

Audio

AUDIO COMPRESSION	G.711/G.726/AMR
CROSS TALKING	Yes
INPUT	1 CH Stereo Jack (for microphone)
OUTPUT	1 CH Stereo Jack

Mechanical

Apply for all series

Dimensions	58(mm) x 69(mm) x 139(mm)
Operation temperature	-10°C ~ 50°C
Operation humidity	20% ~ 90%
Vandal proof	No
Accessories	QT-204-WB (Wallmount Bracket) INCLUDED

Power

Apply for all series

Voltage	12V DC
Power consumption	1 Amp
Recommended Power supply	QT-12VDC-1A

Parts included

CD Room
QT-204