



openQ oQ-810

(IP All in one camera series)



NEW HOUSING

■ Up To D1@30fps
Great live video 30 fps display performance.

30fps
recording resolution

■ H.264 compression

H.264

■ WiFi optional

WiFi

■ MICRO SD MEMORY included

■ Compatible

softQ
Basic

■ Compatible

softQ
Professional

■ Compatible

pocketQ

■ Compatible

smartQ

General

The oQ-810 outdoor camera is the perfect combination of a high resolution camera with long range infrared light, ideal for open fields, perimeters, and outdoor environments with poor lightning conditions.

Functions

ViewQ (Quaddrix ViewQ Technology): The new oQ-810 incorporates a new image sensor technology known as Pixim's DPS; ultra-wide dynamic range. This technology increases in a remarkable way the image quality delivered by this new image sensor device, providing clearer and way more detailed images than the ones delivered by the traditional CCD based cameras.

High resolution CCD: Obtain high quality and detailed images with the 540TVL Super HAD CCD image sensors.

Day/Night CCD: Day/Night sensor allows you to capture all details and information that provide the color image and in turn will provide you with clear images and high resolution. Sensor changes to black and white when light levels decrease, thus adapting to a myriad solutions.

Built in internal memory for video storage: You can now store two or more hours of video recording (at medium resolution according to the memory capacity) to ensure video recording in case of network failures.

Built in Web server: Allows video live preview, camera configuration, playback, backup and local recording from Internet Explorer.

SoftQ systems compatible: Full camera control and management from Quaddrix NVS systems SoftQ Basic (included) and SoftQ Professional software (sold separately).

Built-in video intelligence functions: Motion detection, camera masking detection, external alarm connection and alarm output, as well as E-mail event notification with attached snapshots, scheduled FTP snapshot, and recording upload.

Wireless connection: Support wireless network, IEEE802.11g/b (only for wireless models).

Dual stream supported: allows you to have two different video encoding modes simultaneously for different network environments.

H.264 compression: Quaddrix IP cameras use the most advanced video encoding technology H.264 and support video resolutions of up to DI@30Fps.

IR Option: the oQ-810 outdoor series is a long range Infrared camera that will allow you to capture images in areas where the light levels are very low or zero, thereby improving the performance of your CCTV solution.

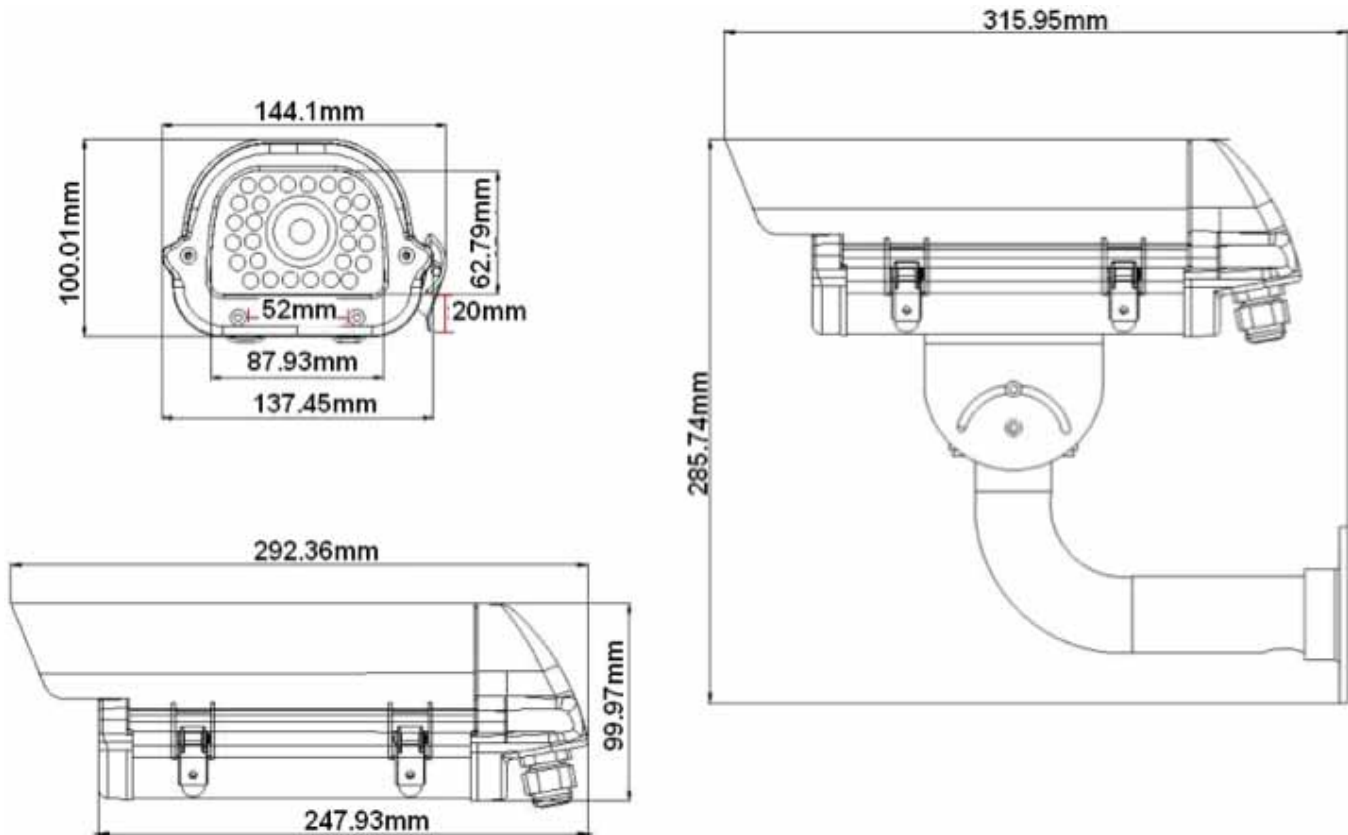
DNR (Digital Noise Reduction): The Digital Noise Reduction technology (DNR) improves Image quality by reducing fixed and random noises; as an additional benefit, DNR helps to optimize the recording process.

Parts included

- Installation and specs Printed manual
- CD Room
- QT-204-WB (Wallmount Bracket) INCLUDED

Notes: for W (WiFi models) the antenna is not included

Technical Drawing



Optical specification

	oQ-810-D11 oQ-810-D11W	oQ-810-D12 oQ-810-D12W
Image Sensor	1/3" Sony Super HAD CCD	1/3" Sony Super HAD CCD
Effective Pixels	768(H) x 494 (V)	768(H) x 494 (V)
Total Pixels	811(H) x 508(V)	811(H) x 508(V)
Signal System	NTSC (standard)	NTSC (standard)
Resolution	540 TVL	540 TVL
Sensitivity	0.01 Lux / 0Lux IR On	0.01 Lux / 0Lux IR On
Day/Night function	Yes	Yes
BackLight Compensation	Yes	Yes
Infrared Wavelength	850 nm	850 nm
Infrared Lamp Irradiation	50mm	50mm
S/N Ratio	More than 52dB	More than 52dB
Electronic Shutter	NTSC: 1/60 ~ 1/100000 PAL: 1/50 ~ 1/100000	NTSC: 1/60 ~ 1/100000 PAL: 1/50 ~ 1/100000
White Balance	Auto	Auto
Sync mode	Internal	Internal
AGC	Auto	Auto
WDR	No	No
Scan System	Interlaced	Interlaced
DSP	Yes	Yes
OSD	No	No
DNR	Yes	Yes
DSS	No	No
Analog Video Output	Yes (for service)	Yes (for service)
Vertical Phase	59.94Hz	59.94Hz

Lens

	oQ-810-D11 oQ-810-D11W	oQ-810-D12 oQ-810-D12W
Lens Type	Varifocal	Varifocal
Focal Length	2.8~10mm	9~22mm
Angle of view	20° ~ 65° (V) / 27° ~ 81° (H)	9° ~ 23° (V) / 12° ~ 30° (H)
Mount type	Board	Board
Iris control	Auto Iris DC Drive	Auto Iris DC Drive

Mechanical (for all references)

Dimensions	100mm (H) x 292.3mm (L) x 144.1 (W)
Operation temperature	-10°C ~ 50°C
Operation humidity	20% ~ 90%
Environmental protection	Weatherproof - IP66 rated
Vandal Proof	No
Accessories	QT-204-WB (Wallmount Bracket) Included

Power (for all references)

Voltage	12V DC
Power consumption	1 Amp
Recommended Power supply	QT-12VDC-1.25A

Technical specifications:

NETWORK (these specs apply for all IP models)

General

BUILT IN WEB BROWSER	Yes
INTERNAL STORAGE	Yes (Up to 2Gb fo local storage)
SECURITY	Multiple user access levels with password protection
USERS	UP to 10 users real time monitoring (account reusables)
WIFI	Yes, 802.11 b/g (only for W models)
ALARM INPUT	2 channels
ALARM OUTPUT	1 channel
NETWORK INTERFACES	1 CH RJ-45 10M/100M self-adaptive Ethernet 1 802.11b/g WIFI (only for W models)
CONNECTORS	1 Alarms socket 1 Mic IN 1 Audio Out 1 12VDC Jack
NETWORK PROTOCOLS	UDP/IP, TCP/IP, DNS, PPPoE, DDNS
STREAM CONTROL MODE	CBR (Constant Bit Rate) / VBR (Variable Bit Rate)
FRAME RATE CONTROL	ACF (Active Control Frame)
DUAL STREAM	Yes
MOTION DETECTION	Yes
PTZ CONTROL	Yes, RS485 out for external device control

Video

SIGNAL SYSTEM	PAL/NTSC
OUTPUT	1 CH RJ45 network connector
VIDEO COMPRESSION	H.264
ENCODE SPEED	NTSC: 1~30Fps adjustable PAL: 1~25Fps adjustable
ENCODE RESOLUTION	D1, HD1, CIF, QCIF, QVGA, QQVGA (real time)
VIDEO QUALITY	1~6 (1 lowest, 6 highest)
MOBILE DEVICE VIEW	Yes PocketQ supported

Audio

AUDIO COMPRESSION	G.711/AMR
CROSS TALKING	Yes
INPUT	1 CH Stereo Jack (for microphone)
OUTPUT	1 CH Stereo Jack