



General

This ultra-small format camera series utilizes the latest Pixim technology, renowned the world over for delivering spectacularly vivid images in the most difficult lighting conditions. viewQ Micro Cameras are an excellent solution when discretion is a key and high resolution video quality is required.

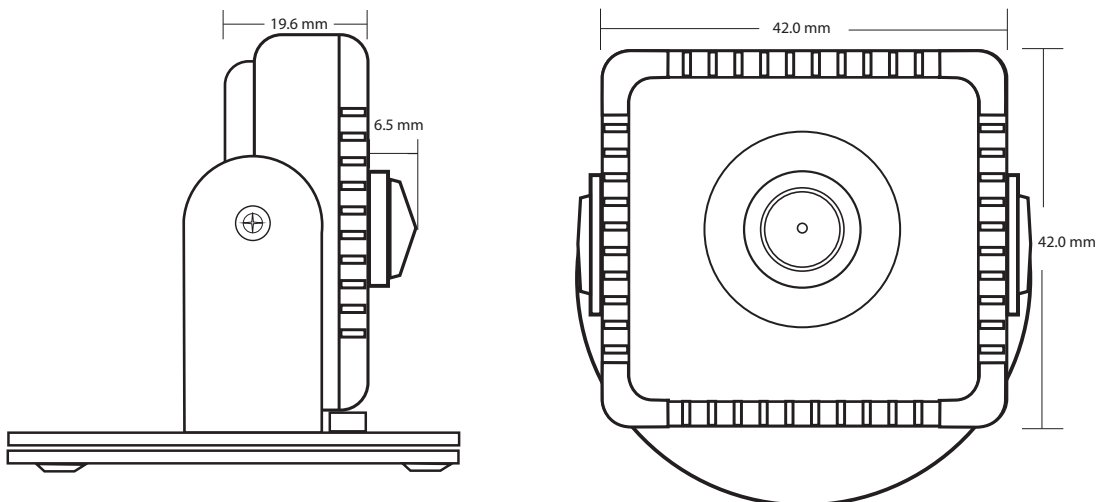
Parts Included

- QTX-42-A1

Parts To Be Ordered Separately

Order Information	Part Number	Description
Power Supply	Unkoun	Unkoun

Technical Drawing



Technical Specifications

Optical Specifications

QTX-42-A1

Imaging

Horizontal Resolution	690 HTVL Equivalent
Vertical Resolution	460 VTVL
Dynamic Range	120dB max (102db Typical)
Sensitivity	0.1 Lux min illumination f1.2, 50 IRE, 30 FPS, 2850K, Color)
Digital Slow Shutter	2x/ 4x/ 8x/ 16x/ 32x
Noise Reduction	3D Motion Adaptive Noise Reduction (3DNR)
SNR	> 50 dB MAX
AGC	Programmable up to 50 dB
Auto Iris	DC
Back Light Compensation	BLC On/Off
Day/Night	True Day, Night
White Balance	ATW, PTWB
WB Range	2000 - 11,000K
Meterig Zones	4, User Definable

Video

Video Standards	NTSC/PAL (software selectable)
Aspect Ratio	4:3 - 16:9 Scaled
Synchronization	Internal or Line Lock
Flicker Reduction	On/Off
Image Flip	Horizontal and Vertical
Image Freeze	Yes
Digital PTZ	Pan, Tilt, Zoom (1x - 8x)

QTX-42-A1

Interfaces

Identifiers	Camera ID / Camera Number
Local Control	OSD control interface in camera cable
Visual	On-screen Display
Privacy Zones	12 Programmable Zones
Activity Zones	4 Programmable Zones

Sensor

Type	Digital Pixel System ©
Capture	Global Electronic Shutter
Electronic Shutter Speed	1/25 - 1/30 720 second(f.1/2)
Optical Format	1/3" (6.3mm Image Diagonal)
Total Pixels	768 x 548 (420, 864)
Effective Pixels	758x540(409,320)
Pixel Size	7um x 7um
Color Filter Array	CMY+OLPF and IR Cut Filter

Power Supply

Voltage	12 DVC +/- 10%
Power	

Enviromental

Temperature	-10 to 50 Degrees C (operating)
--------------------	---------------------------------

Other Specifications

QTX-42-A1

Lens

Pin Hole	3.7mm
-----------------	-------

Functions

- **viewQ's Digital Pixel System Technology** delivers high-resolution, crystal clear images that accurately capture every aspect of any scene.
- **Ultra-wide dynamic Range** imaging accurately captures all of the critical details in a scene including highlights, shadows, and everything in between without compromising image quality or color accuracy
- **Effective Resolution Is Usable Resolution:** Increased vertical resolution increases a camera's effective image resolution. Higher VTVL allows CCTV cameras to capture more usable detail in an image. At the same time it prevents the camera from capturing false color noise that obscures details in images, unnecessarily bloats DVR file sizes, and confuses analytics algorithms. Standard DVRs as well as standard. CRT and LCD video monitors support the additional vertical resolution. Effective resolution, as its name implies, is the best indicator for video security professionals of how effective a CCTV camera is really going to be in terms of capturing detail in an image.
- Enhanced low-light performance makes **viewQ** the natural choice for both indoor and outdoor cameras for all lighting conditions.
- **OSD:** On-Screen display
- **PH:** Pin Hole