



General

viewQ oQ 810 All In One camera provides color images in bright lighting conditions, and automatically adjusts to black-and-white images when the light level drops. Even in complete darkness, provides clear, accurate images with the support of infrared illuminators. Weatherproof housing, mounting bracket and power supply included.

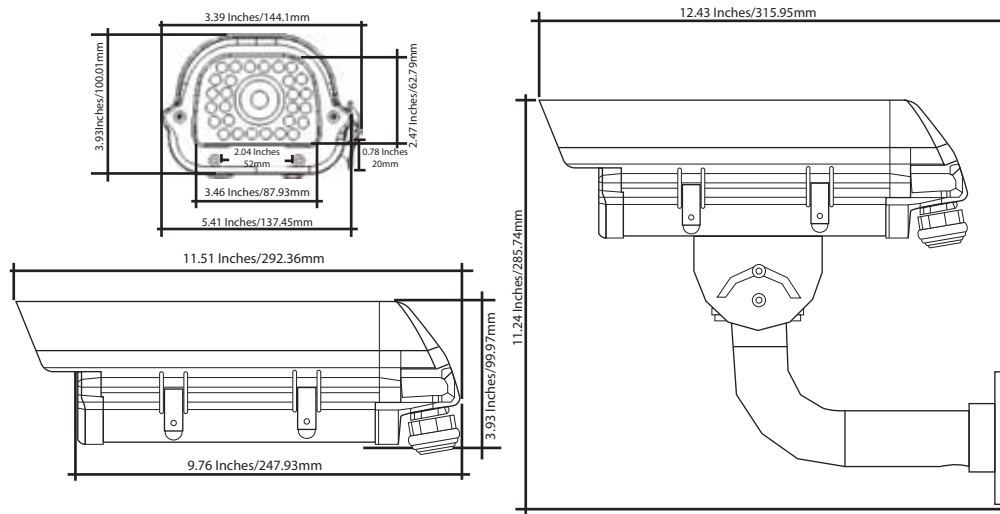
Parts Included

- OQ-810 All in one camera
- Wall Bracket

Parts To Be Ordered Separately

Order Information	Part Number	Description
Power Supply	QT-12DC-1.25A	Power Supply 12VDC 1250mA

Technical Drawing



Technical Specifications

Optical Specifications

oQ-810 J11 / J11W | oQ 810 J12 / J12W

Imaging

Horizontal Resolution	690 HTVL Equivalent
Vertical Resolution	460 VTVL
Dynamic Range	120dB max (102db Typical)
Sensitivity	0.1 Lux min illumination f1.2, 50 IRE, 30 FPS, 2850K, Color)
Digital Slow Shutter	2x/ 4x/ 8x/ 16x/ 32x
Noise Reduction	3D Motion Adaptive Noise Reduction (3DNR)
SNR	> 50 dB MAX
AGC	Programmable up to 50 dB
Auto Iris	DC
Back Light Compensation	BLC On/Off
Day/Night	True Day, Night
White Balance	ATW, PTWB
WB Range	2000 - 11,000K
Meterig Zones	4, User Definable

Video

Video Standards	NTSC/PAL (software selectable)
Aspect Ratio	4:3 - 16:9 Scaled
Synchronization	Internal or Line Lock
Flicker Reduction	On/Off
Image Flip	Horizontal and Vertical
Image Freeze	Yes

oQ-810 J11 / J11W | oQ 810 J12 / J12W

Interfaces

Identifiers	Camera ID / Camera Number
Local Control	OSD control interface in camera cable
Visual	On-screen Display
Privacy Zones	12 Programmable Zones
Activity Zones	4 Programmable Zones

Sensor

Type	Digital Pixel System ©
Capture	Global Electronic Shutter
Electronic Shutter Speed	1/25 - 1/30 720 second(f.1/2)
Optical Format	1/3" (6.3mm Image Diagonal)
Total Pixels	768 x 548 (420, 864)
Effective Pixels	758x540(409,320)
Pixel Size	7um x 7um
Color Filter Array	CMY+OLPF and IR Cut Filter

Power Supply

Voltage	12 DVC +/- 10%
Power	12 Watts

Enviromental

Temperature	-10 to 50 Degrees C (operating)
--------------------	---------------------------------

Other Specifications

oQ-810 J11 / J11W | oQ 810 J12 / J12W

Lens

Lens Type	Vari Focal	
Focal Length	2.8~10mm*	9~22mm
Angle of View	20°~65°(V) / 27°~81° (H)	9°~23°(V) / 12°~30°(H)
Mount Type	Board	Board
Iris Control	Auto Iris DC	Auto Iris DC
TDN (True Day Night)	Yes. Mechanical Filter	Yes. Mechanical Filter

IR Illumination

Infrared Wavelength	850nm	850nm
Infrared Distance	50mt	50mt

Power

Voltage	12VDC	12VDC
Power consumption	1 AMP	1 AMP
Recommended Power supply	QT-12DC-1.25A	QT-12DC-1.25A

Audio

Audio Compression	G.711/AMR	G.711/AMR
Cross Talking	Yes	Yes
Input	1 CH Stereo Jack (for microphone)	1 CH Stereo Jack (for microphone)
Output	1 CH Stereo Jack	1 CH Stereo Jack

* For focal lengths lower than 3.3 mm, you will have dark zone on image edges.

Technical Specifications

Network Specifications

oQ 63-J7 / oQ 63-J7W | oQ 63-J8 / oQ 63-J8W

General	
BUILT IN WEB BROWSER	Yes
INTERNAL STORAGE	Yes (Up to 2Gb for local storage)
SECURITY	Multiple user access levels with password protection
USERS	UP to 10 users real time monitoring (account reusable's) or multiple users using MULTICAST
WIFI	Yes, 802.11b/g (only for WiFi models)
NETWORK INTERFACES	1 CH RJ-45 10M/100M self-adaptive Ethernet 1 802.11b/g WIFI (only for W models)
CONNECTORS	1 Mic IN 1 Audio Out 1 12VDC Jack
NETWORK PROTOCOLS	UDP/IP, TCP/IP, DNS, PPPoE, DDNS
STREAM CONTROL MODE	CBR (Constant Bit Rate) /VBR (Variable Bit Rate)
FRAME RATE CONTROL	ACF (Active Control Frame)
DUAL STREAM	Yes
MOTION DETECTION	Yes

oQ 63-J7 / oQ 63-J7W | oQ 63-J8 / oQ 63-J8W

Mechanical	
Dimensions	2.4Inches (H) x 3.7Inches (φ)
Operation temperature	-10°C ~ 50°C
Operation humidity	20% ~ 80%
Environmental protection	For Indoor use
Vandal proof	No
Accessories	N/A
Power	
Voltage	12V DC
Power consumption	1A
Recommended Power supply	QT-12VDC-1.25A
Video	
Signal System	PAL/NTSC
Output	1 CH RJ45 network connector
Video Compression	H.264
Encode Speed	NTSC: 1~30Fps adjustable PAL: 1~25Fps adjustable
Encode Resolution	D1, HD1, CIF, QCIF, QVGA, QQVGA (real time)
Video Quality	1~6 (1 lowest, 6 highest)
Mobile Device View	Yes PocketQ supported

IP Connection

oQ 63-J7 / oQ 63-J7W | oQ 63-J8 / oQ 63-J8W

Network

- IP video/audio streaming (dual stream supported)
- Max supports 10 connections. MULTICAST available for more connections (*Multicast router required)
- Protocols: HTTP, TCP, UDP.
- E-mail notification.
- Support web access.
- IP Module configuration and management using Web, softQ Basic or softQ Professional
- Support PoE (* Only for PoE models)
- Support system resource information and running status real-time display.

Functions

- **viewQ's Digital Pixel System Technology** delivers high-resolution, crystal clear images that accurately capture every aspect of any scene.
- **Ultra-wide dynamic Range** imaging accurately captures all of the critical details in a scene including highlights, shadows, and everything in between without compromising image quality or color accuracy
- **Effective Resolution Is Usable Resolution:** Increased vertical resolution increases a camera's effective image resolution. Higher VTVL allows CCTV cameras to capture more usable detail in an image. At the same time it prevents the camera from capturing false color noise that obscures details in images, unnecessarily bloats DVR file sizes, and confuses analytics algorithms. Standard DVRs as well as standard. CRT and LCD video monitors support the additional vertical resolution. Effective resolution, as its name implies, is the best indicator for video security professionals of how effective a CCTV camera is really going to be in terms of capturing detail in an image.
- Enhanced low-light performance makes **viewQ** the natural choice for both indoor and outdoor cameras for all lighting conditions.
- **IR Capability:** The Infrared lighting option included in the QTX-810 series will operate in supervised areas up to 50mts with low and zero visibility, thereby improving the performance of your CCTV solution.
- **DSS (Digital Show Shutter):** DSS improves camera performance under low light conditions with its automatic shutter speed by allowing lighter path to the camera to improve its level of sensitivity.
- **DNR (Digital Noise Reduction):** The Digital Noise Reduction technology (DNR) improves image quality by reducing fixed and random noises; as an additional benefit, DNR helps optimize the recording process.
- **Weatherproof IP66 Rated,** created to withstand the toughest weather conditions and can be used in bright sunlight or rain.