



General

The Quaddrix viewQ QTX 63 camera features a rugged dome, meeting IP66 requirements for outdoor use in rain and wind while serving to protect the camera against tampering or vandalism. A built-in auto iris along with a day/night function enables installation in areas of changing light conditions with the camera self adjusting to meet the current conditions.

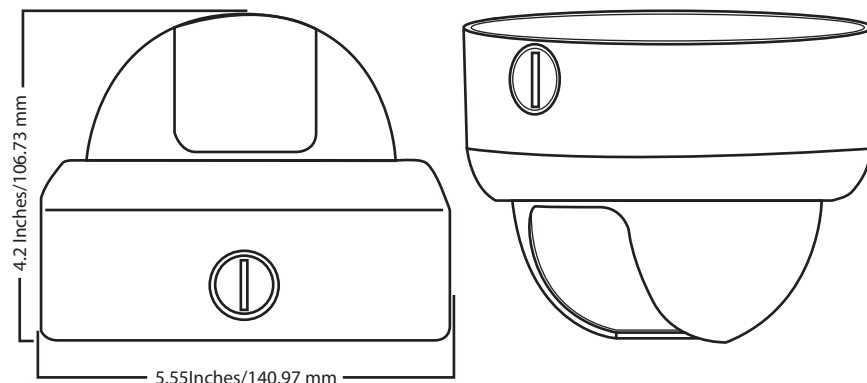
Parts Included

•QTX-63 Minidome

Parts To Be Ordered Separately

Order Information	Part Number	Description
Power Supply	QT-24VAC-1.5A	Power Supply 24VAC 1.5A
Wall Bracket	QT-201-WB	Wall Bracket for vandal proof dome QTX-63
Power Supply	QT-12DC-1.25A	Power Supply 12VDC 1200mA

Technical Drawing



Technical Specifications

Optical Specifications

	QTX-63-J7	QTX-63-J8
Imaging		
Horizontal Resolution	690 HTVL Equivalent	
Vertical Resolution	460 VTVL	
Dynamic Range	120dB max (102db Typical)	
Sensitivity	0.1 Lux min illumination f1.2, 50 IRE, 30 FPS, 2850K, Color)	
Digital Slow Shutter	2x/ 4x/ 8x/ 16x/ 32x	
Noise Reduction	3D Motion Adaptive Noise Reduction (3DNR)	
SNR	> 50 dB MAX	
AGC	Programmable up to 50 dB	
Auto Iris	DC	
Back Light Compensation	BLC On/Off	
Day/Night	True Day, Night	
White Balance	ATW, PTWB	
WB Range	2000 - 11,000K	
Meterig Zones	4, User Definable	
Video		
Video Standards	NTSC/PAL (software selectable)	
Aspect Ratio	4:3 - 16:9 Scaled	
Synchronization	Internal or Line Lock	
Flicker Reduction	On/Off	
Image Flip	Horizontal and Vertical	
Image Freeze	Yes	
Digital PTZ	Pan, Tilt, Zoom (1x - 8x)	

	QTX-63-J7	QTX-63-J8
Interfaces		
Identifiers	Camera ID / Camera Number	
Local Control	GPIO (Button/Joystick/DIP)	
Visual	On-screen Display	
Privacy Zones	12 Programmable Zones	
Activity Zones	4 Programmable Zones	
Sensor		
Type	Digital Pixel System ©	
Capture	Global Electronic Shutter	
Electronic Shutter Speed	1/25 - 1/30 720 second(f.1/2)	
Optical Format	1/3" (6.3mm Image Diagonal)	
Total Pixels	768 x 548 (420, 864)	
Effective Pixels	758x540(409,320)	
Pixel Size	7um x 7um	
Color Filter Array	CMY+OLPF and IR Cut Filter	
Power Supply		
Voltage	12 DVC +/- 10%	
Power		
Enviromental		
Temperature	-10 to 50 Degrees C (operating)	

Other Specifications

	QTX-62-J11	QTX-62-J12
Lens		
Lens Type	Vari Focal	
Focal Length	2.8~10mm	9~22mm
Angle of View	20°~65°(V) / 27°~81° (H)	9°~23°(V) / 12°~30°(H)
Mount Type	Board	Board
Iris Control	Auto Iris DC	Auto Iris DC
TDN (True Day Night)	Yes. Mechanical Filter	Yes. Mechanical Filter
Power		
Voltage	12VDC / 24VAC	12VDC / 24VAC

Functions

- **viewQ's Digital Pixel System Technology** delivers high-resolution, crystal clear images that accurately capture every aspect of any scene.
- **Ultra-wide dynamic Range** imaging accurately captures all of the critical details in a scene including highlights, shadows, and everything in between without compromising image quality or color accuracy
- **Effective Resolution Is Usable Resolution:** Increased vertical resolution increases a camera's effective image resolution. Higher VTVL allows CCTV cameras to capture more usable detail in an image. At the same time it prevents the camera from capturing false color noise that obscures details in images, unnecessarily bloats DVR file sizes, and confuses analytics algorithms. Standard DVRs as well as standard. CRT and LCD video monitors support the additional vertical resolution. Effective resolution, as its name implies, is the best indicator for video security professionals of how effective a CCTV camera is really going to be in terms of capturing detail in an image.
- Enhanced low-light performance makes **viewQ** the natural choice for both indoor and outdoor cameras for all lighting conditions.
- **DSS (Digital Show Shutter):** DSS improves camera performance under low light conditions by adjusting automatic shutter speed by allowing lighter path to the camera to improve its level of sensitivity.
- **Weatherproof IP66 Rated**, created to withstand the toughest weather conditions and can be used in bright sunlight or rain.