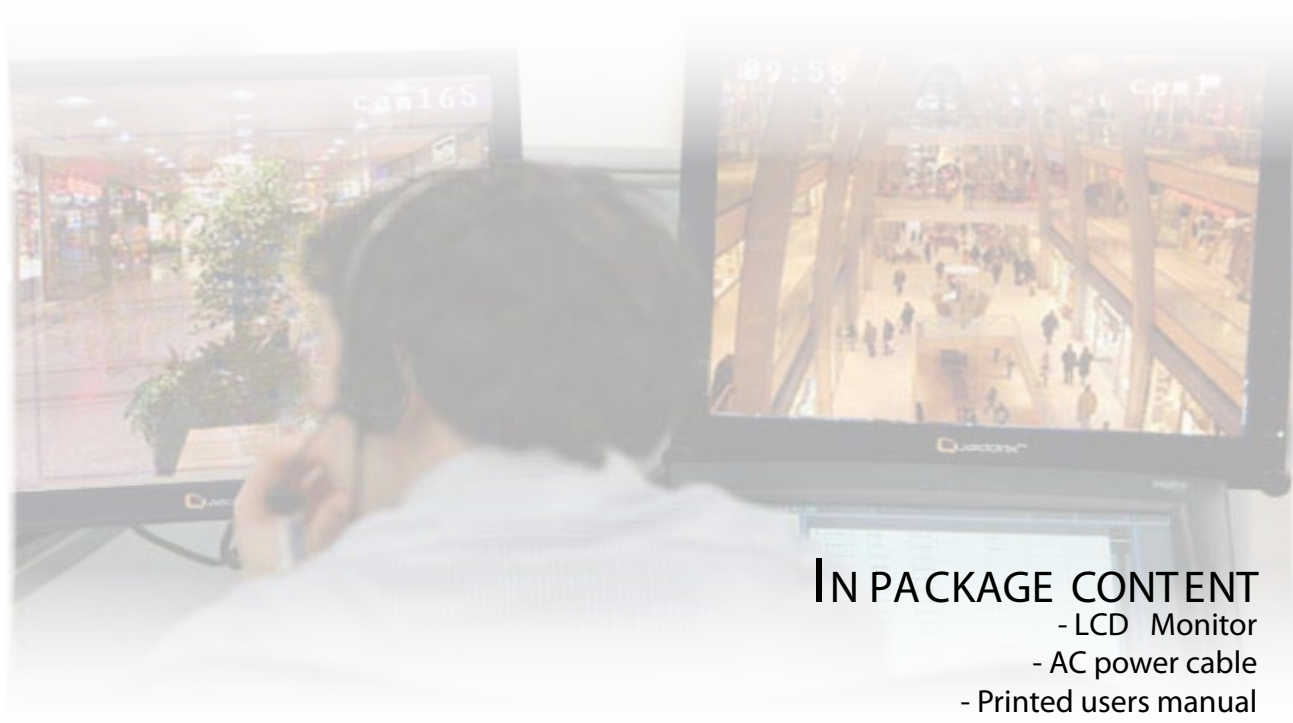


# QT-LCD19C/A



## Technical Specifications

**Quaddrix**<sup>®</sup>  
LCD MONITOR



### IN PACKAGE CONTENT

- LCD Monitor
- AC power cable
- Printed users manual
- Remote control

### Special Features

- \* High contrast color LCD display, supported resolutions: 1280x1024 @75Hz
- \* VESA standards compatible.
- \* Embedded audio system
- \* OSD control for picture quality adjustment.
- \* Detachable stand for wall-mounting application.
- \* AV-in and S-Video.
- \* Brightness: 450cd/m<sup>2</sup>
- \* Contrast: 1000 : 1
- \* Composite Video Input, S-video Signal, VPbPr Input, VGA Input, DVI Input
- \* 3D Comb Filter
- \* Dynamic Noise-reduction

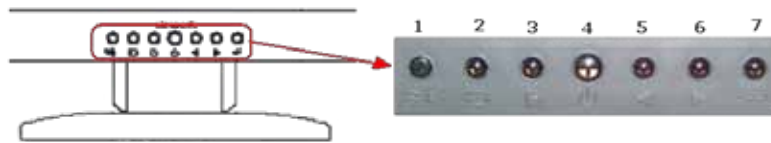


# QT-LCD19C/A



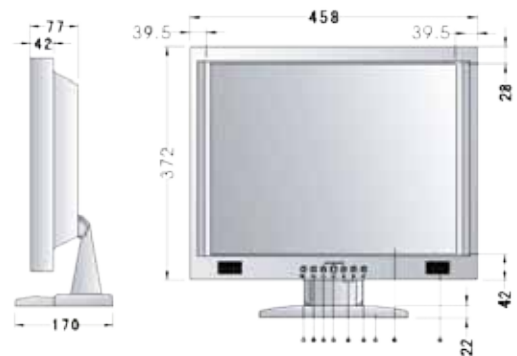
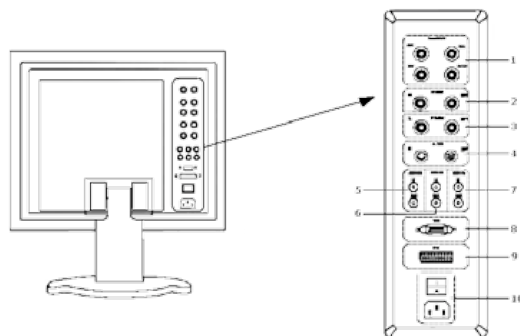
## Technical Specifications

**Quaddrix**<sup>®</sup>  
 LCD MONITOR



1. Remote control receiver
2. Video mode switch
3. Menu
4. POWER
5. Volume (+)
6. Volume (-)
7. Enter

1. YPbPr IN: YUY Input only
2. VIDEO 1: VIDEO 1 IN/OUT
3. VIDEO 2: VIDEO 2 IN/OUT
4. SVHS: S-YIDEO IN/OUT
5. AUDIO 1: VIDEO 1 and S-VIDEO AUDIO IN/OUT
6. AUDIO 2: VIDEO 2 and YPbPr AUDIO IN/OUT
7. AUDIO 3: VGA and DVI AUDIO IN /OUT
8. VGA Input
9. DVI Input
10. POWER SWITCH and CONNECTOR



# QT-LCD19C/A



## Technical Specifications



The monitor has 3 different mounting modes providing you more flexibility for monitor mounting installation. For wall/ceiling, cabinet and bracket desk mounting (default).

### TECHNOLOGICAL SPECIFICATIONS

○ System	PAL/NTSC
○ LCD Display	19" LCD Monitoring panel
○ Max Resolution	1280(H)x1024(V); (down-wards compatible)
○ Response time	8ms
○ View Angle	170°/160°
○ Brightness	450cd/m2
○ Contrast	1000:1
○ Video Input	2 BNC composite video input channels, 1 S-Video, 1 YPbPr channel, 1 DVI channel, 1 VGA channel
○ Video Output	2 BNC composite video output channels, 1 S-Video looping output channel
○ Audio Input	3 RCA (L, R) input channels
○ Audio Output	3 RCA (L, R) Output channels
○ Display Mode	VGA
○ Speakers	x2 front
○ OSD Menu	Yes
○ Side Control	6 keys (video mode, menu, power, volume+, volume -, enter)
○ Power Consumption	100~230VAC 40W Max
○ Working Temperature	0°C~+40°C
○ Working Humidity	10%~85%
○ Weight	6.7Kg

Quaddrix<sup>®</sup>  
LCD MONITOR